



ATLANTIC
Fluid Tech

**SECTION
1**

Relief Valves

SECTION 1

RELIEF VALVES

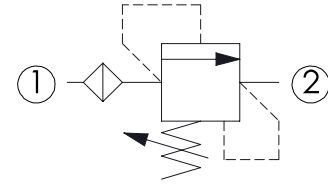
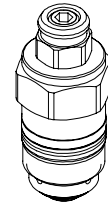
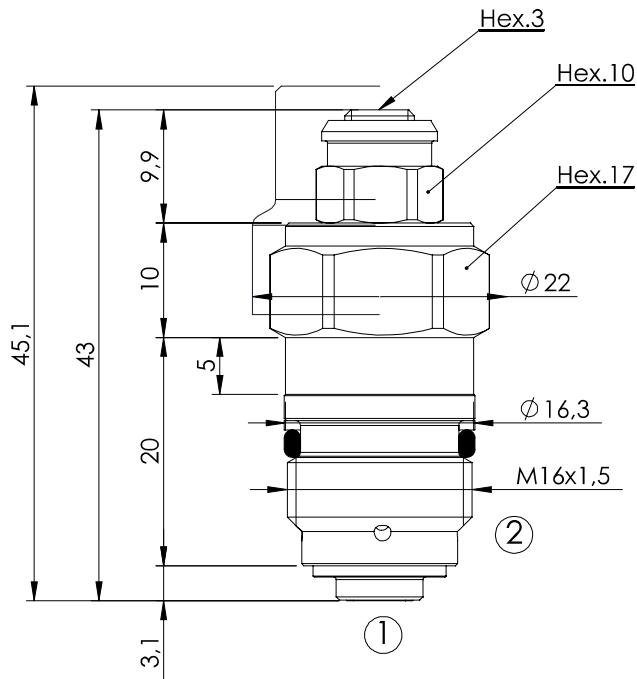


Hydraulic scheme	Valve description	Valve type	Rated flow (l/min)	Max. pressure (bar)	Installation	Main port size or cavity type	Page
	CPLN-005-DPNA	Direct acting, poppet type	1,5	460	Cartridge	VP000005	1.01.010
	CPLN-010-DHNA	Direct acting, poppet type	3	350	Cartridge	SAE-08-2N	1.01.020 1.01.030
	KPLN-010-DPNA	Direct acting, poppet type	3	350	In line	G1/4" - G3/8"	1.01.040
	CPLN-020-DPNA	Direct acting, poppet type	20	420	Cartridge	SAE-08-2N	1.01.050 1.01.060
	KPLN-020-DPNA	Direct acting, poppet type	20	350	In line	G1/4" - G3/8"	1.01.070
	CPLN-030-DPNA	Direct acting, poppet type	30	420	Cartridge	VP000008	1.01.080
	CPLN-030-DHNA	Direct acting, poppet type	30	350	Cartridge	VP000008	1.01.090
	CPLN-030-DHAA	Direct acting, poppet type	30	350	Cartridge	VP000008	1.01.100
	KPLN-030-DPNA	Direct acting, poppet type	30	350	In line	G3/8" - G1/2"	1.01.110
	CPLN-080-DPNA	Direct acting, poppet type	80	420	Cartridge	VP000086	1.01.120
	KPLN-080-DPNA	Direct acting, poppet type	80	350	In line	G1/2" - G3/4"	1.01.130
	CPLN-120-DPNA	Direct acting, poppet type	120	350	Cartridge	VP000388	1.01.140
	CPLT-030-DPNA	Direct acting, poppet type, compensated	30	350	Cartridge	VP000008	1.02.150
	CPLT-030-DHNA	Direct acting, poppet type, compensated	30	350	Cartridge	VP000008	1.02.160
	CPLT-080-DHNA	Direct acting, poppet type, compensated	80	420	Cartridge	VP000086	1.02.170
	CPLT-080-DHNA	Direct acting, poppet type, chamber vented	80	420	Cartridge	SAE-16-3C	1.02.180
	CPLN-040-DHGD	Differential, poppet type	40	350	Cartridge	VP000080	1.03.190
	CPLN-090-DHGA	Direct acting, poppet type	90	380	Cartridge	VP000249	1.03.200
	CPAN-090-DHGA	Direct, poppet type, anticavitation	90	380	Cartridge	VP000249	1.03.210
	CPLN-150-DHGD	Differential, poppet type	150	350	Cartridge	VP000070	1.03.220
	KPLN-150-DHGD	Differential, poppet type	150	350	In line	G1/2" - G3/4"	1.03.230
	CPLN-160-DHGA	Direct, poppet type	160	400	Cartridge	VP000250	1.03.240
	CPAN-160-DHGA	Direct, poppet type, anticavitation	160	400	Cartridge	VP000250	1.03.250
	CPLN-250-DHGD	Differential, poppet type	250	350	Cartridge	VP000154	1.03.260
KPLN-250-DHGD	Differential, poppet type	250	350	In line	G1"	1.03.270	
	CPLN-120-PSNA	Pilot operated, spool type	120	350	Cartridge	SAE-10-2N	1.04.280
	KPLN-120-PSNA	Pilot operated, spool type	120	350	In line	G3/8" - G1/2"	1.04.290
	CPLN-300-PSNA	Pilot operated, spool type	300	350	Cartridge	SAE-16-2N	1.04.300
	CPLN-500-PHNA	Pilot operated, spool type	500	350	Cartridge	SAE-20-2N	1.04.310
	CPLT-120-PSNA	Pilot operated, spool type, compensated	120	350	Cartridge	SAE-10-2N	1.05.320
	CPLV-120-PSNA	Pilot operated, spool type	120	350	Cartridge	SAE-10-2N	1.06.330
	CPSK-001-PPNA	Direct acting, poppet type, kick down type	1	350	Cartridge	SAE-10-2N	1.07.340

RELIEF VALVE

CPLN-005-DPNA

DIRECT ACTING
WITH FILTER

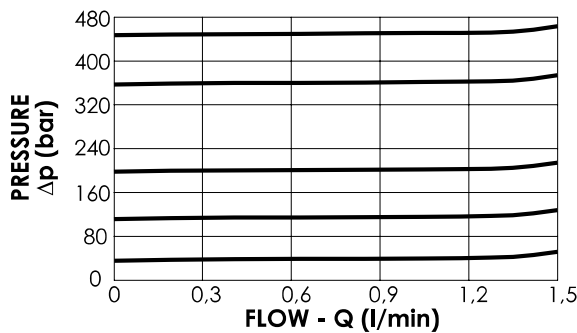
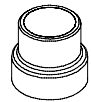


SPECIFICATIONS

Max. operating pressure:	460 bar
Rated flow:	1,5 l/min
Cavity:	VP000005
Weight:	0,05 kg

SEALING CAP

Ordering code:
ST000014



NOTES

Installation torque:	27 - 33 Nm
Seal kit:	RC700005

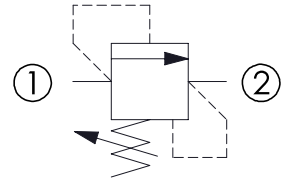
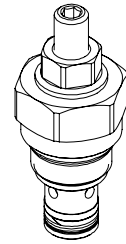
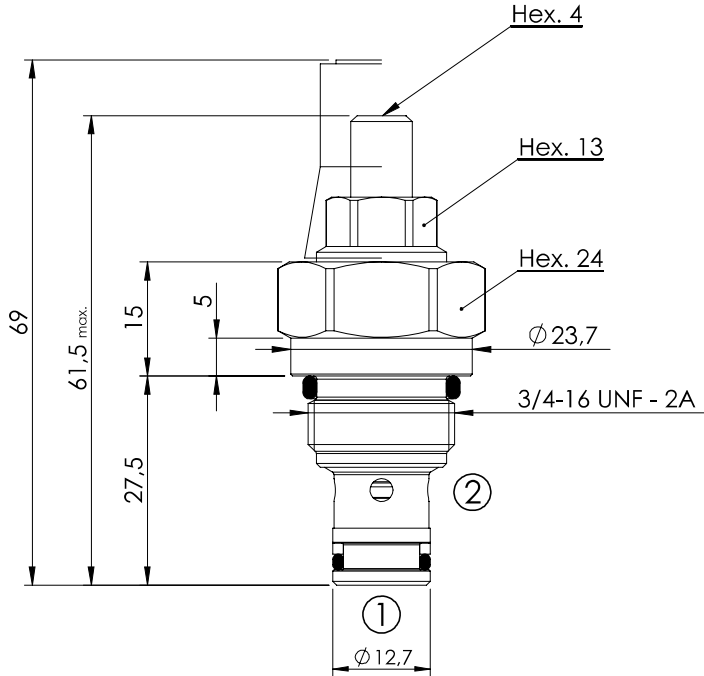
ORDERING CODES

Quick code	Description	Standard setting (bar/cracking pressure)	Adjustment range (bar)	Pressure increase (bar/turn)
CP000015	CPLN-005-DPNA-PF-005-N460	460	150-460	236
CP000002	CPLN-005-DPNA-PF-005-N350	350	120-350	165
CP000029	CPLN-005-DPNA-PF-005-N200	200	100-200	75
CP000030	CPLN-005-DPNA-PF-005-N100	100	25-100	41
CP000277	CPLN-005-DPNA-PF-005-N040	40	10-40	22

RELIEF VALVE

CPLN-010-DHNA

DIRECT ACTING
HARDENED SEAT

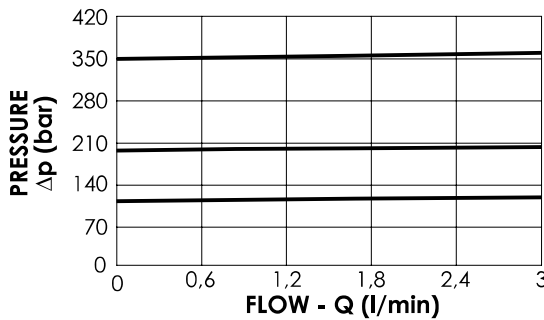
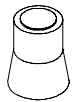


SPECIFICATIONS

Max. operating pressure:	350 bar
Rated flow:	3 l/min
Cavity:	SAE-08-2N
Weight:	0,1 kg

SEALING CAP

Ordering code:
AT000020



NOTES

Installation torque:	45 - 50 Nm
Seal kit:	RA700081

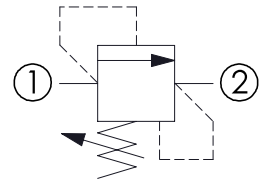
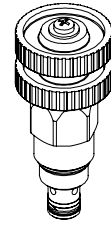
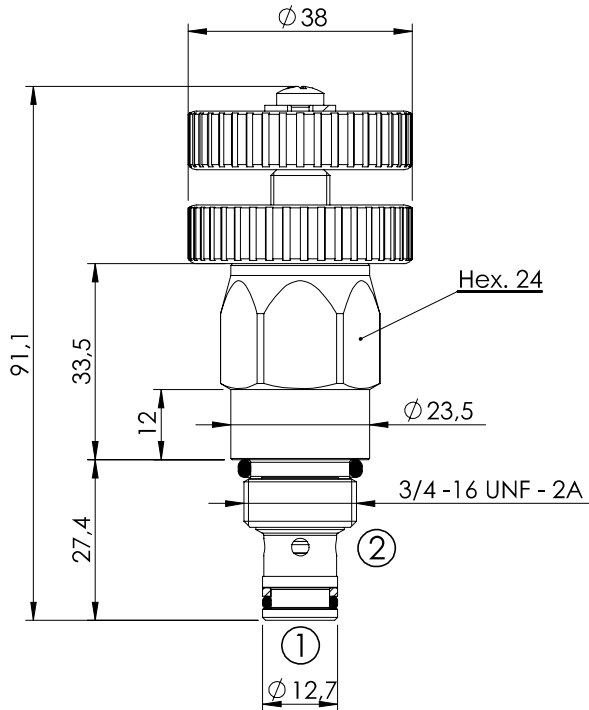
ORDERING CODES

Quick code	Description	Standard setting (bar, Q=0,2 l/min)	Adjustment range (bar)	Pressure increase (bar/turn)
CP000006	CPLN-010-DHNA-SN-S08-N350	350	140-350	142
CP000055	CPLN-010-DHNA-SN-S08-N200	200	90-210	87
CP000056	CPLN-010-DHNA-SN-S08-N100	100	35-110	47

RELIEF VALVE

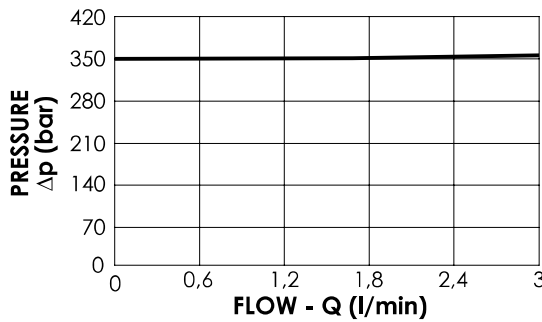
CPLN-010-DHNA

DIRECT ACTING
HARDENED SEAT



SPECIFICATIONS

Max. operating pressure:	350 bar
Rated flow:	3 l/min
Cavity:	SAE-08-2N
Weight:	0,18 kg



NOTES

Installation torque:	45 - 50 Nm
Seal kit:	RA700081

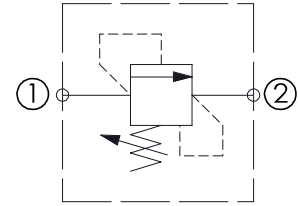
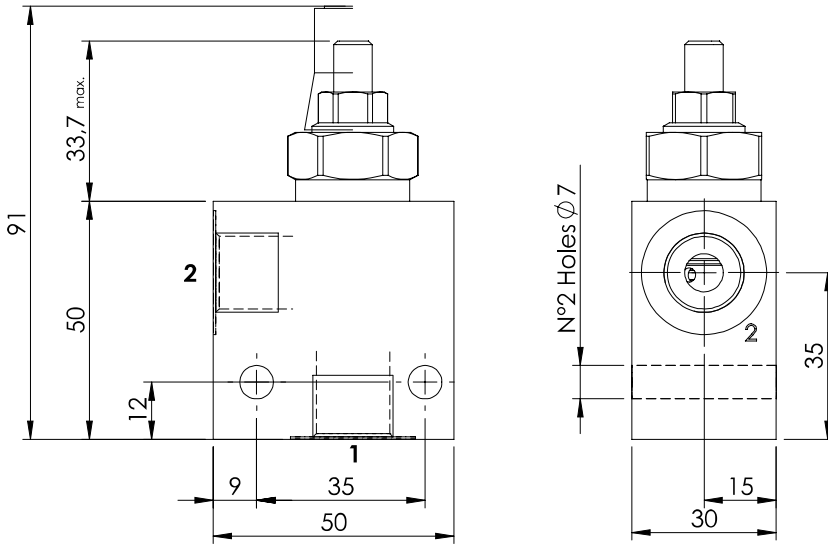
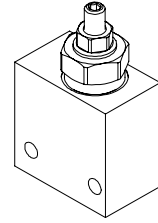
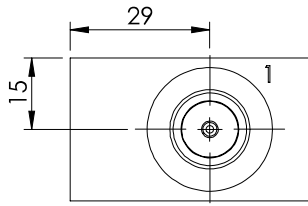
ORDERING CODES

Quick code	Description	Standard setting (bar, cracking pressure)	Adjustment range (bar)	Pressure increase (bar/turn)
CP000172	CPLN-010-DHNA-VN-S08-N350	350	20-350	83

RELIEF VALVE IN BODY

KPLN-010-DPNA

**DIRECT ACTING
HARDENED SEAT**

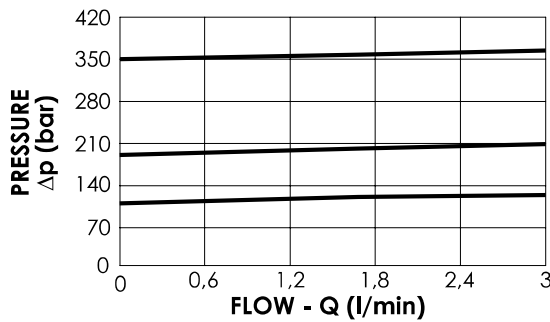
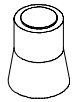


SPECIFICATIONS

Max. operating pressure:	350 bar
Rated flow:	3 l/min
Manifold:	Aluminium
Weight:	0,25 kg

SEALING CAP

Ordering code:
AT000020



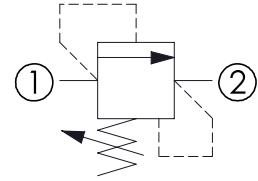
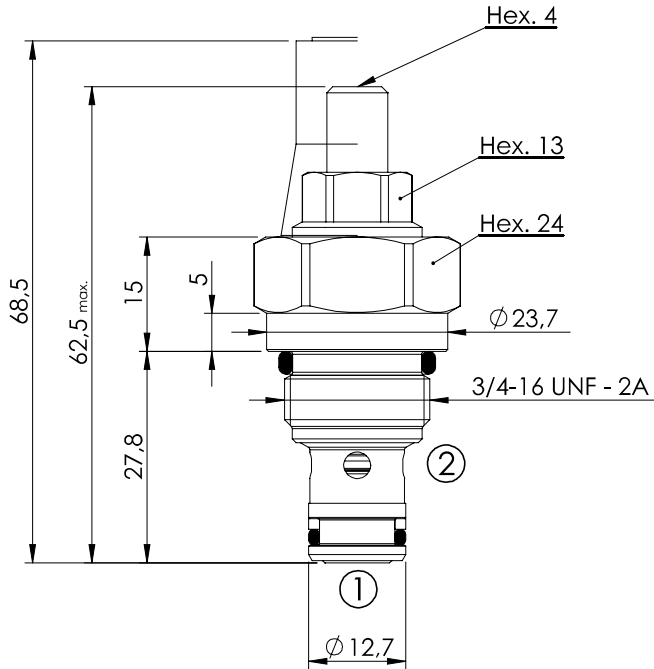
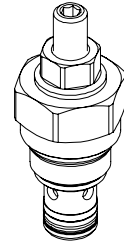
ORDERING CODES

Quick code	Description	Main ports size	Standard setting (bar, Q=0.2 l/min)	Adjustm. range (bar)	Pressure increase (bar/turn)
KP000041	KPLN-010-DPNA-SN-G38-N350	P,T: G 3/8"	350	140-350	142
KP000042	KPLN-010-DPNA-SN-G38-N200	P,T: G 3/8"	200	90-210	87
KP000043	KPLN-010-DPNA-SN-G38-N100	P,T: G 3/8"	100	35-110	47
KP000044	KPLN-010-DPNA-SN-G14-N350	P,T: G 1/4"	350	140-350	142
KP000045	KPLN-010-DPNA-SN-G14-N200	P,T: G 1/4"	200	90-210	87
KP000046	KPLN-010-DPNA-SN-G14-N100	P,T: G 1/4"	100	35-110	47

RELIEF VALVE

CPLN-020-DPNA

**DIRECT ACTING
STABILIZED PISTON**



SPECIFICATIONS

Max. operating pressure:	420 bar
Rated flow:	20 l/min
Cavity:	SAE-08-2N
Weight:	0,1 kg

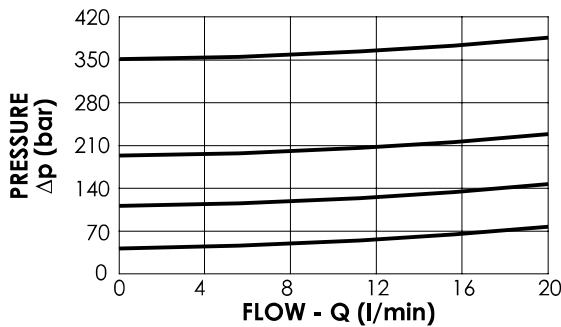
SEALING CAP

Ordering code:
AT000020



NOTES

Installation torque:	45-50 Nm
Seal kit:	RA700081



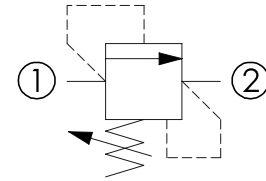
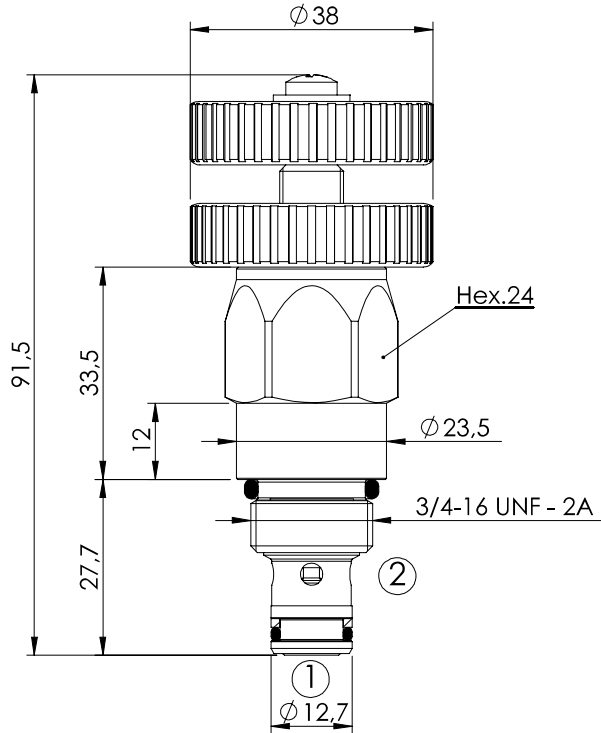
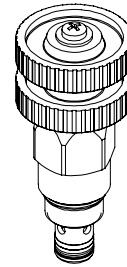
ORDERING CODES

Quick code	Description	Standard setting (bar, Q=5 l/min)	Adjustment range (bar)	Pressure increase (bar/turn)
CP000168	CPLN-020-DPNA-SN-S08-N420	350	200-420	207
CP000025	CPLN-020-DPNA-SN-S08-N350	350	175-350	177
CP000007	CPLN-020-DPNA-SN-S08-N200	200	105-210	80
CP000028	CPLN-020-DPNA-SN-S08-N100	100	35-140	49
CP000027	CPLN-020-DPNA-SN-S08-N050	50	10-70	26

RELIEF VALVE

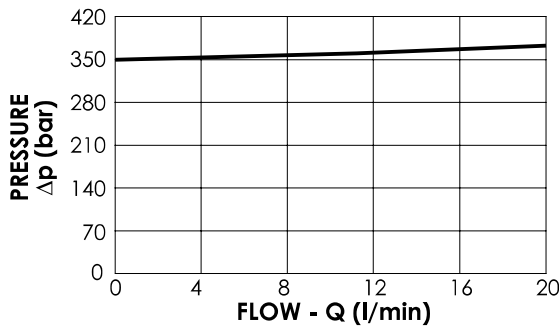
CPLN-020-DPNA

DIRECT ACTING



SPECIFICATIONS

Max. operating pressure:	350 bar
Rated flow:	20 l/min
Cavity:	SAE-08-2N
Weight:	0,18 kg



NOTES

Installation torque:	45 - 50 Nm
Seal kit:	RA700081

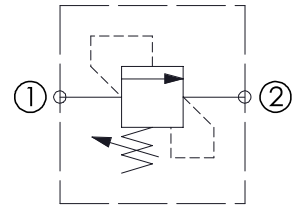
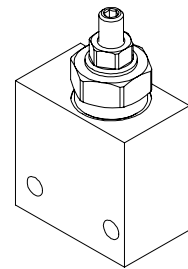
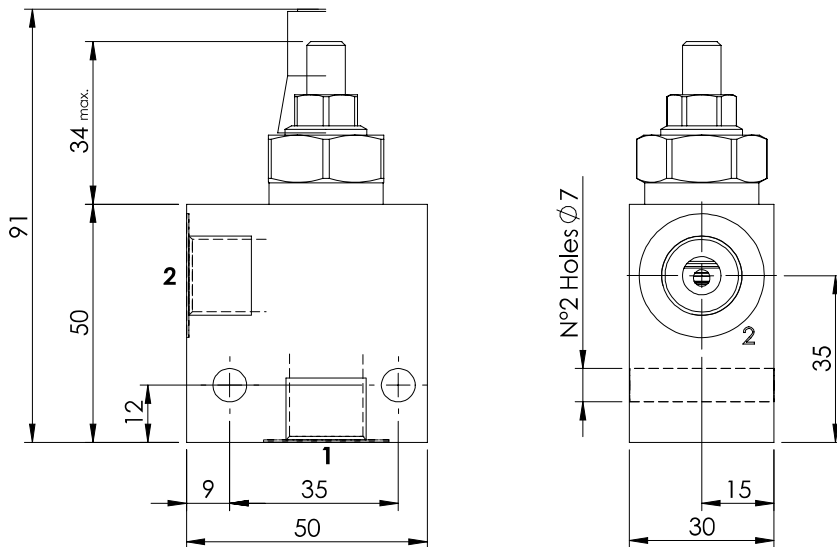
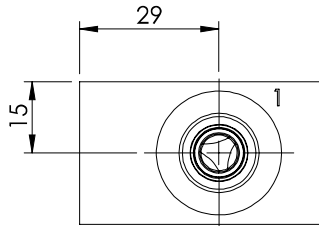
ORDERING CODES

Quick code	Description	Standard setting (bar, Q=5 l/min)	Adjustment range (bar)	Pressure increase (bar/turn)
CP000173	CPLN-020-DPNA-VN-S08-N350	350	20-350	56

RELIEF VALVE IN BODY

KPLN-020-DPNA

**DIRECT ACTING
STABILIZED PISTON**

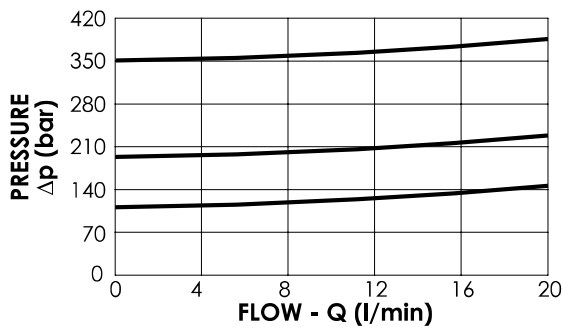


SPECIFICATIONS

Max. operating pressure:	350 bar
Rated flow:	20 l/min
Manifold:	Aluminium
Weight:	0,25 kg

SEALING CAP

Ordering code:
AT000020



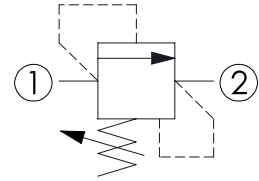
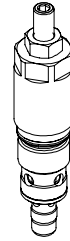
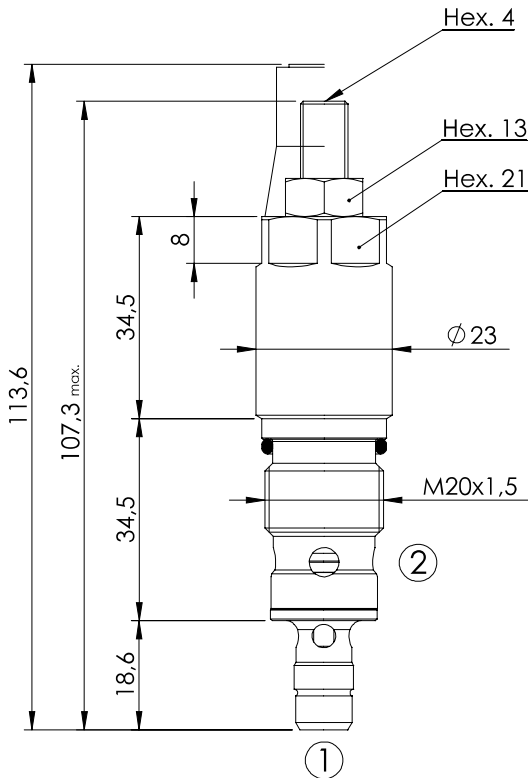
ORDERING CODES

Quick code	Description	Main ports size	Standard setting (bar, Q=5 l/min)	Adjustm. range (bar)	Pressure increase (bar/turn)
KP000010	KPLN-020-DPNA-SN-G38-N350	P,T: G 3/8"	350	175-350	177
KP000037	KPLN-020-DPNA-SN-G38-N200	P,T: G 3/8"	200	105-210	80
KP000038	KPLN-020-DPNA-SN-G38-N100	P,T: G 3/8"	100	35-140	49
KP000008	KPLN-020-DPNA-SN-G14-N350	P,T: G 1/4"	350	175-350	177
KP000039	KPLN-020-DPNA-SN-G14-N200	P,T: G 1/4"	200	105-210	80
KP000040	KPLN-020-DPNA-SN-G14-N100	P,T: G 1/4"	100	35-140	49

RELIEF VALVE

CPLN-030-DPNA

**DIRECT ACTING
STABILIZED PISTON**



SPECIFICATIONS

Max. operating pressure:	420 bar
Rated flow:	30 l/min
Cavity:	VP000008
Weight:	0,17 kg

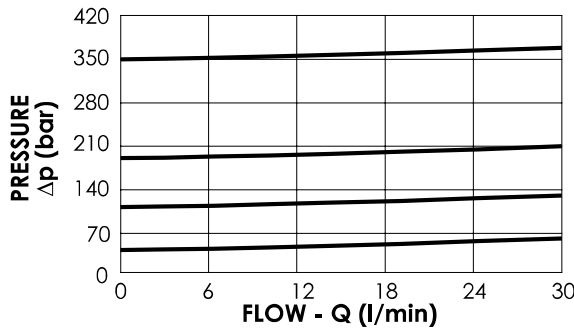
SEALING CAP

Ordering code:
AT000020



NOTES

Installation torque:	40 - 45 Nm
Seal kit:	RC700008



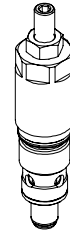
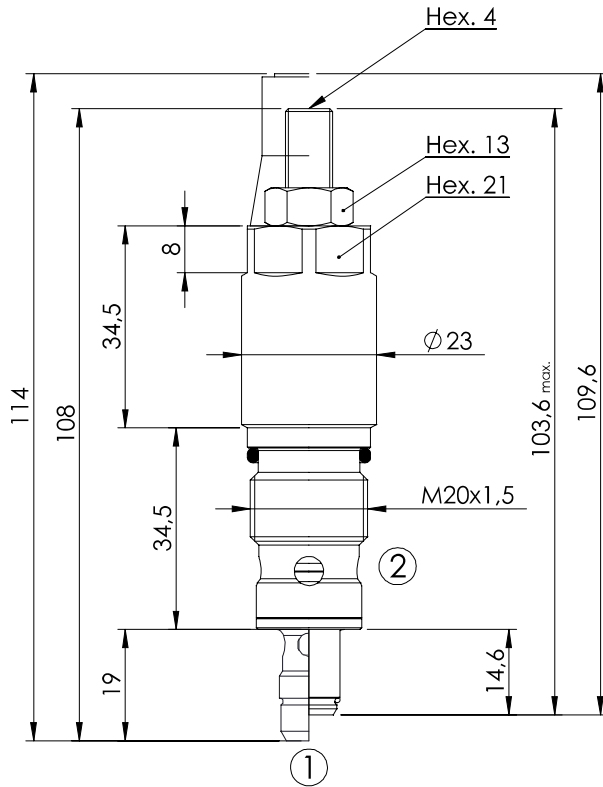
ORDERING CODES

Quick code	Description	Standard setting (bar, Q=5 l/min)	Adjustment range (bar)	Pressure increase (bar/turn)
CP000124	CPLN-030-DPNA-HN-008-N420	350	250-420	104
CP000001	CPLN-030-DPNA-HN-008-N350	350	100-350	91
CP000019	CPLN-030-DPNA-HN-008-N200	200	50-210	42
CP000020	CPLN-030-DPNA-HN-008-N100	100	30-100	20
CP000032	CPLN-030-DPNA-HN-008-N050	50	10-50	10

RELIEF VALVE

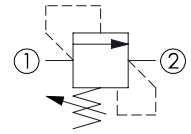
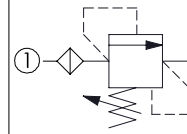
CPLN-XXX-DHNA

**DIRECT ACTING
STABILIZED PISTON
HARDENED SEAT**



With Filter

Without Filter



SPECIFICATIONS

Max. operating pressure:	500 bar
Max. operating pressure on T:	350 bar
Rated flow:	See table
Cavity:	VP000008
Weight:	0,17 kg

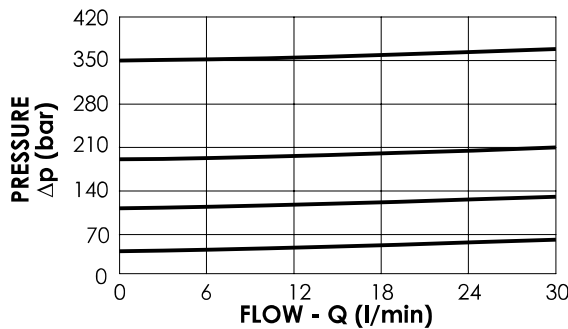
SEALING CAP

Ordering code:
AT000020



NOTES

Installation torque:	40-45 Nm
Seal kit:	RC700008



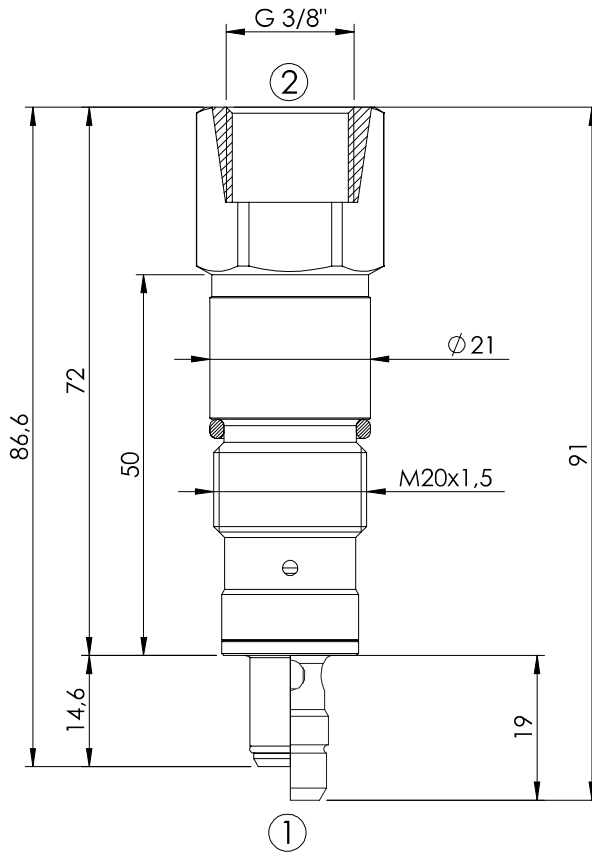
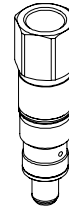
ORDERING CODES

Quick code	Description	Rated flow (l/min)	Standard setting (bar, Q=5 l/min)	Adjustment range (bar)	Pressure increase (bar/turn)	Options
CP000401	CPLN-023-DHNA-CF-008-N500	20	350	150 - 500	150	With Filter
CP000411	CPLN-030-DHNA-HF-008-N420	30	350	250-420	104	With Filter
CP000082	CPLN-030-DHNA-HN-008-N350	30	350	100-350	91	Without Filter
CP000083	CPLN-030-DHNA-HN-008-N200	30	200	50-210	42	Without Filter
CP000084	CPLN-030-DHNA-HN-008-N100	30	100	30-100	20	Without Filter
CP000085	CPLN-030-DHNA-HN-008-N050	30	50	10-50	10	Without Filter

RELIEF VALVE

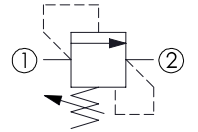
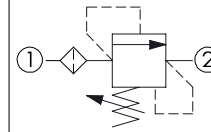
CPLN-XXX-DHAA

**DIRECT ACTING
STABILIZED PISTON
HARDENED SEAT**



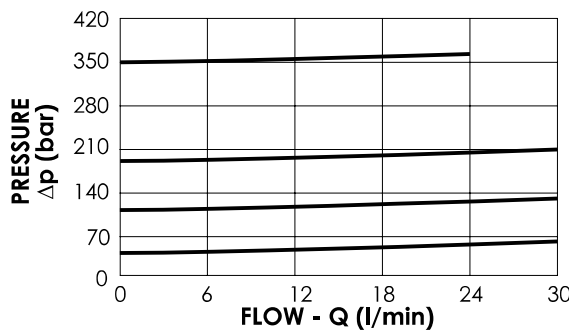
With Filter

Without Filter



SPECIFICATIONS

Max. operating pressure:	500 bar
Max. operating pressure on T:	350 bar
Rated flow:	See table
Cavity:	VP000008
Weight:	0,14 kg



NOTES

Installation torque: 40-45 Nm

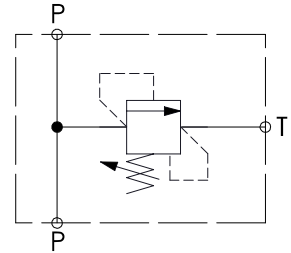
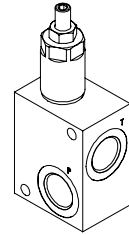
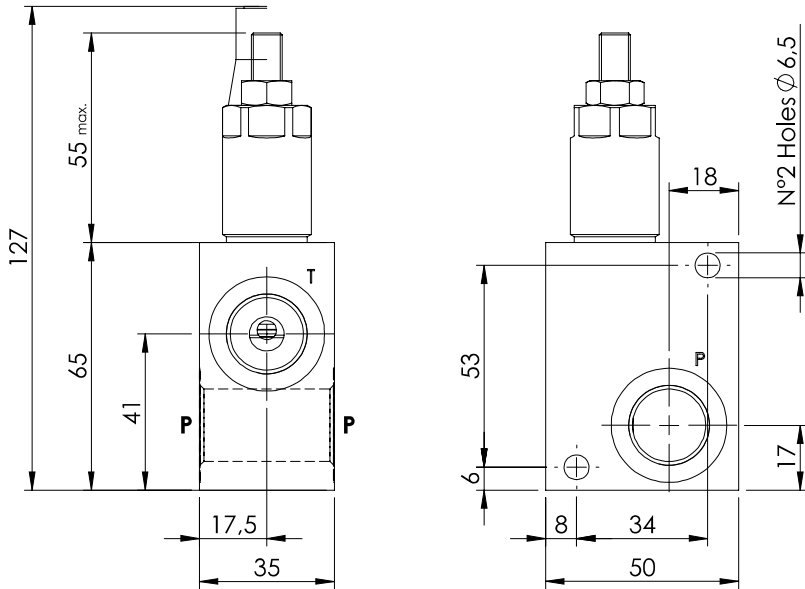
ORDERING CODES

Quick code	Description	Rated flow (l/min)	Standard setting (bar, Q=5 l/min)	Adjustment range (bar)	Pressure increase (bar/turn)	Options
CP000266	CPLN-023-DHAA-CF-008-N500	20	350	150-500	167	With Filter
CP000141	CPLN-030-DHAA-GN-008-N350	30	350	100-350	102	Without Filter
CP000190	CPLN-030-DHAA-GN-008-N200	30	200	50-210	46	Without Filter
CP000191	CPLN-030-DHAA-GN-008-N100	30	100	30-100	22	Without Filter
CP000192	CPLN-030-DHAA-GN-008-N050	30	50	10-50	11	Without Filter

RELIEF VALVE IN BODY

KPLN-030-DPNA

**DIRECT ACTING
STABILIZED PISTON**

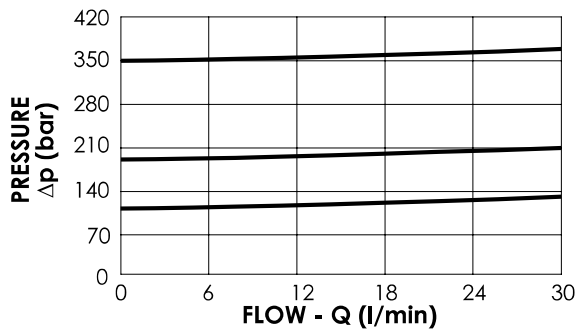
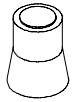


SPECIFICATIONS

Max. operating pressure:	350 bar
Rated flow:	30 l/min
Manifold:	Aluminium
Weight:	0,4 kg

SEALING CAP

Ordering code:
AT000020



NOTES

*Codes available with steel manifold.

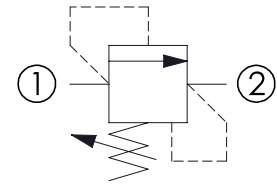
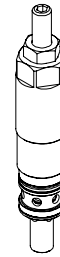
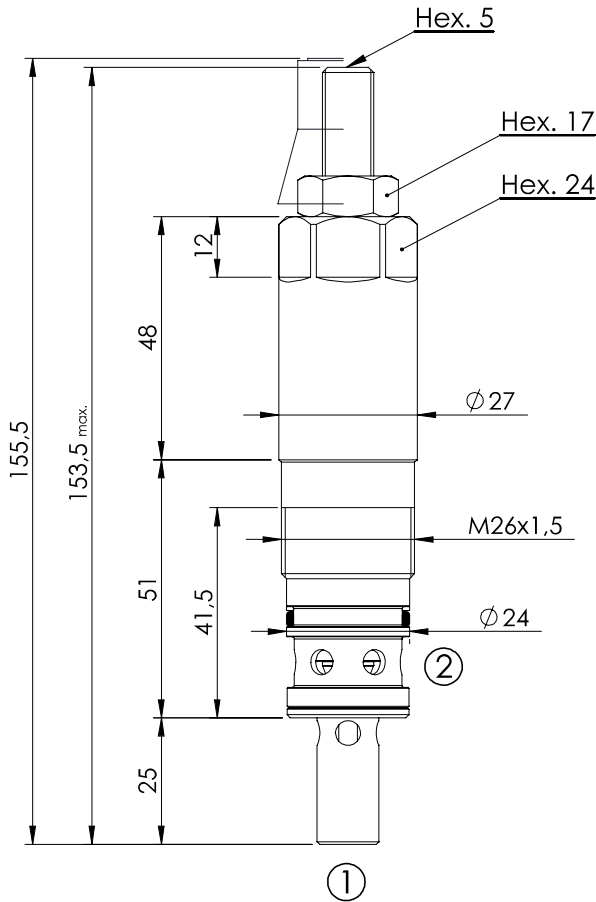
ORDERING CODES

Quick code	Description	Main ports size	Standard setting (bar, Q=5 l/min)	Adjustm. range (bar)	Pressure increase (bar/turn)
KP000006	KPLN-030-DPNA-HN-G12-N350	P,T: G 1/2"	350	100-350	91
KP000005	KPLN-030-DPNA-HN-G12-N200	P,T: G 1/2"	200	50-210	42
KP000004	KPLN-030-DPNA-HN-G12-N100	P,T: G 1/2"	100	30-100	20
KP000003	KPLN-030-DPNA-HN-G38-N350	P,T: G 3/8"	350	100-350	91
KP000002	KPLN-030-DPNA-HN-G38-N200	P,T: G 3/8"	200	50-210	42
KP000001	KPLN-030-DPNA-HN-G38-N100	P,T: G 3/8"	100	30-100	20

RELIEF VALVE

CPLN-080-DPNA

DIRECT ACTING
STABILIZED PISTON

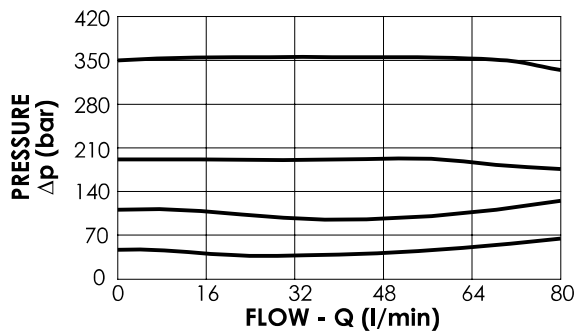
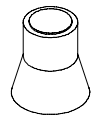


SPECIFICATIONS

Max. operating pressure:	420 bar
Rated flow:	80 l/min
Cavity:	VP000086
Weight:	0,34 kg

SEALING CAP

Ordering code:
AT000021



NOTES

Installation torque:	80 - 95 Nm
Seal kit:	RC700086

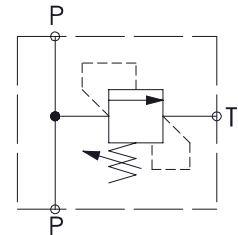
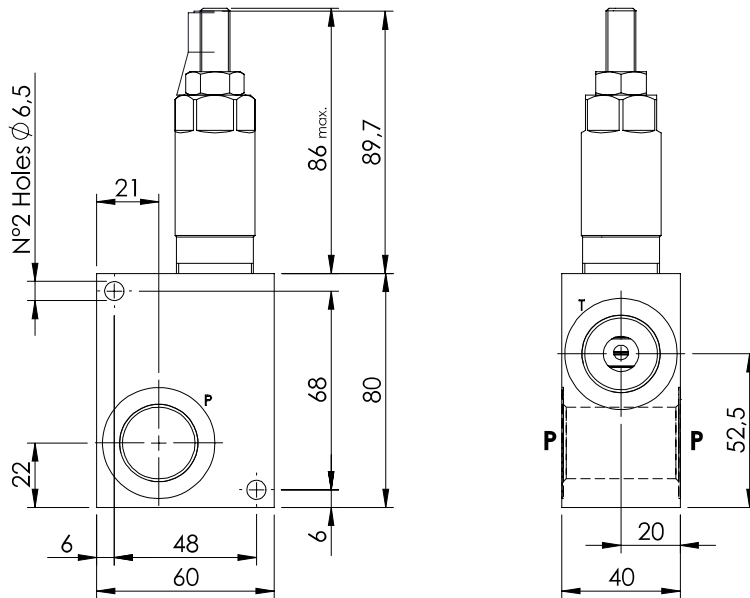
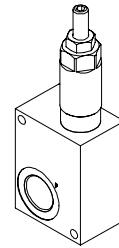
ORDERING CODES

Quick code	Description	Standard setting (bar, Q=5 l/min)	Adjustment range (bar)	Pressure increase (bar/turn)
CP000180	CPLN-080-DPNA-HN-086-N420	350	150-420	53
CP000026	CPLN-080-DPNA-HN-086-N350	350	100-350	42
CP000076	CPLN-080-DPNA-HN-086-N200	200	60-210	24
CP000077	CPLN-080-DPNA-HN-086-N100	100	25-100	13
CP000099	CPLN-080-DPNA-HN-086-N050	50	5-50	9

RELIEF VALVE IN BODY

KPLN-080-DPNA

DIRECT ACTING
STABILIZED PISTON

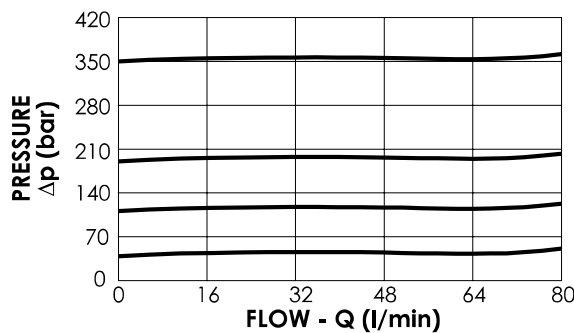
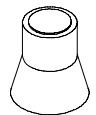


SPECIFICATIONS

Max. operating pressure:	350 bar
Rated flow:	80 l/min
Manifold:	Aluminium
Weight:	0,68 kg

SEALING CAP

Ordering code:
AT000021



NOTES

*Codes available with steel manifold.

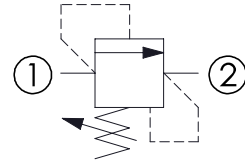
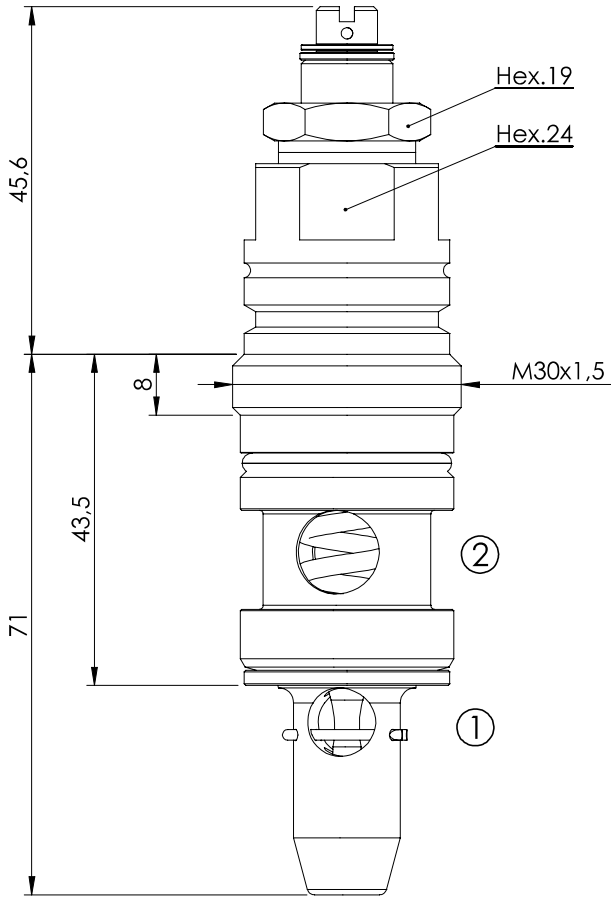
ORDERING CODES

Quick code	Description	Main ports size	Standard setting (bar, Q=5 l/min)	Adjustm. range (bar)	Pressure increase (bar/turn)
KP000018	KPLN-080-DPNA-HN-G34-N350	P,T : G 3/4"	350	100-350	42
KP000070	KPLN-080-DPNA-HN-G34-N200	P,T : G 3/4"	200	60-210	24
KP000069	KPLN-080-DPNA-HN-G34-N100	P,T : G 3/4"	100	25-100	13
KP000098	KPLN-080-DPNA-HN-G34-N050	P,T : G 3/4"	50	5-50	9
KP000016	KPLN-080-DPNA-HN-G12-N350	P,T : G 1/2"	350	100-350	42
KP000090	KPLN-080-DPNA-HN-G12-N200	P,T : G 1/2"	200	60-210	24
KP000091	KPLN-080-DPNA-HN-G12-N100	P,T : G 1/2"	100	25-100	13
KP000099	KPLN-080-DPNA-HN-G12-N050	P,T : G 1/2"	50	5-50	9

RELIEF VALVE

CPLN-120-DPNA

**DIRECT ACTING
POPET TYPE**



SPECIFICATIONS

Max. operating pressure in line 2: 70 bar

Max. operating pressure in line 1: 350 bar

Rated flow: 120 l/min

Cavity: VP000388

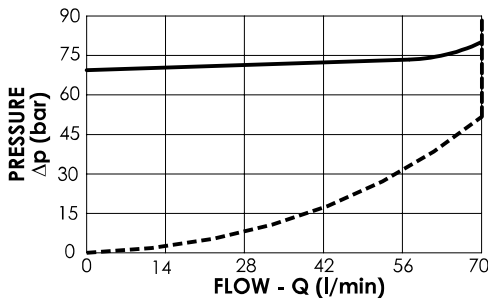
Weight: 0,250 kg

NOTES

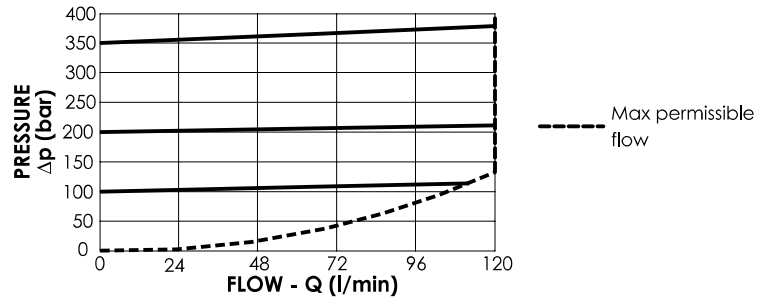
Installation torque: 110-120 Nm

Seal kit: RC100388

For lower pressure-range



For higher pressure-range



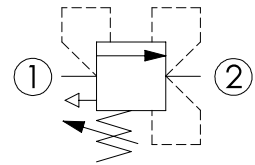
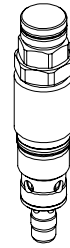
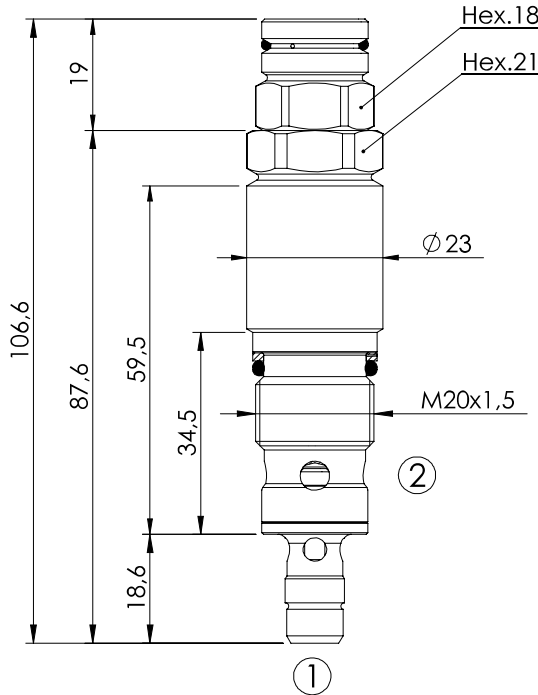
ORDERING CODES

Quick code	Description	Adjustment range (bar)	
CP000276	CPLN-120-DPNA-HN-388-N70	7 - 67	
CP000434	CPLN-120-DPNA-HN-388-N100	40 - 100	
CP000462	CPLN-120-DPNA-HN-388-N200	40 - 200	
CP000463	CPLN-120-DPNA-HN-388-N350	50 - 350	

RELIEF VALVE

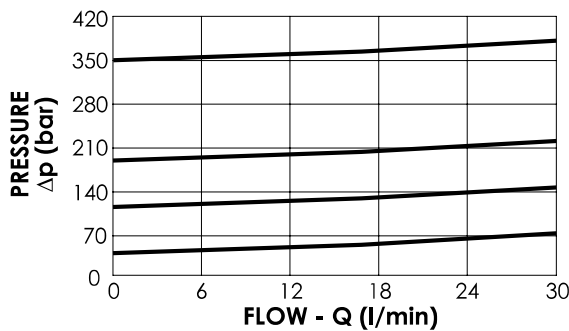
CPLT-030-DPNA

DIRECT ACTING
STABILIZED PISTON
COMPENSATED



SPECIFICATIONS

Max. operating pressure:	420 bar
Rated flow:	30 l/min
Cavity:	VP000008
Weight:	0,2 kg



NOTES

Installation torque:	45-50 Nm
Seal kit:	RC700008

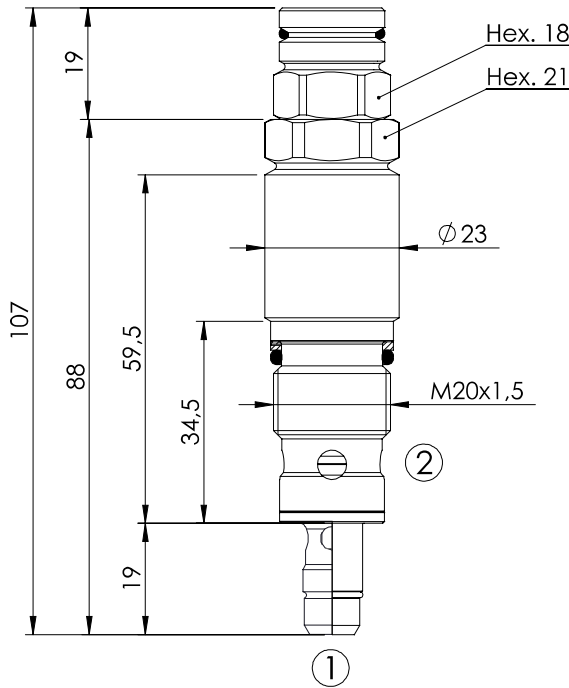
ORDERING CODES

Quick code	Description	Standard setting (bar, Q=5 l/min)	Adjustment range (bar)	Pressure increase (bar/turn)
CP000125	CPLT-030-DPNA-HN-008-N420	350	250-420	104
CP000078	CPLT-030-DPNA-HN-008-N350	350	100-350	91
CP000079	CPLT-030-DPNA-HN-008-N200	200	50-210	42
CP000080	CPLT-030-DPNA-HN-008-N100	100	30-100	20
CP000081	CPLT-030-DPNA-HN-008-N050	50	10-50	10

RELIEF VALVE

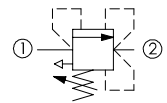
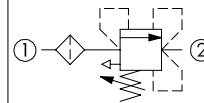
CPLT-030-DHNA

DIRECT ACTING COMPENSATED
STABILIZED PISTON
HARDENED SEAT



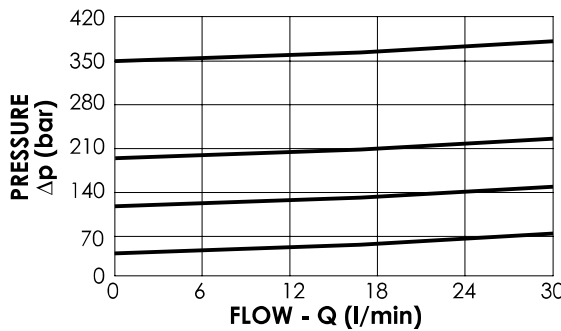
With Filter

Without Filter



SPECIFICATIONS

Max. operating pressure:	420 bar
Max. operating pressure on T:	350 bar
Rated flow:	30 l/min
Cavity:	VP000008
Weight:	0,2 kg



NOTES

Installation torque:	45-50 Nm
Seal kit:	RC700008
Filtration:	300 micron

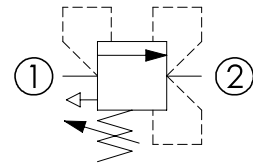
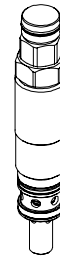
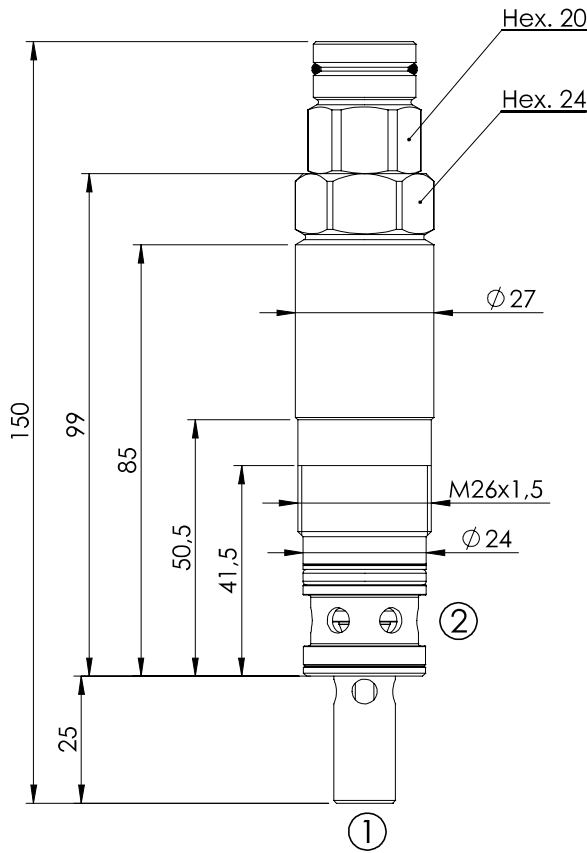
ORDERING CODES

Quick code	Description	Standard setting (bar, Q=5 l/min)	Adjustment range (bar)	Pressure increase (bar/turn)	Options
CP000410	CPLT-030-DHNA-HF-008-N420	350	250-420	104	With Filter
CP000095	CPLT-030-DHNA-HN-008-N350	350	100-350	91	Without Filter
CP000096	CPLT-030-DHNA-HN-008-N200	200	50-210	42	Without Filter
CP000097	CPLT-030-DHNA-HN-008-N100	100	30-100	20	Without Filter
CP000098	CPLT-030-DHNA-HN-008-N050	50	10-50	10	Without Filter

RELIEF VALVE

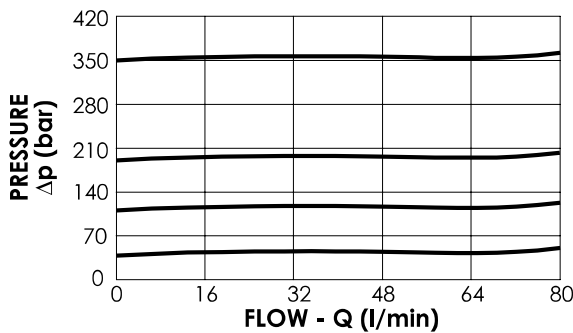
CPLT-080-DHNA

**DIRECT ACTING
STABILIZED PISTON
COMPENSATED**



SPECIFICATIONS

Max. operating pressure:	420 bar
Rated flow:	80 l/min
Cavity:	VP000086
Weight:	0,41 kg



NOTES

Installation torque:	80 - 95 Nm
Seal kit:	RC700086

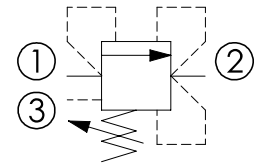
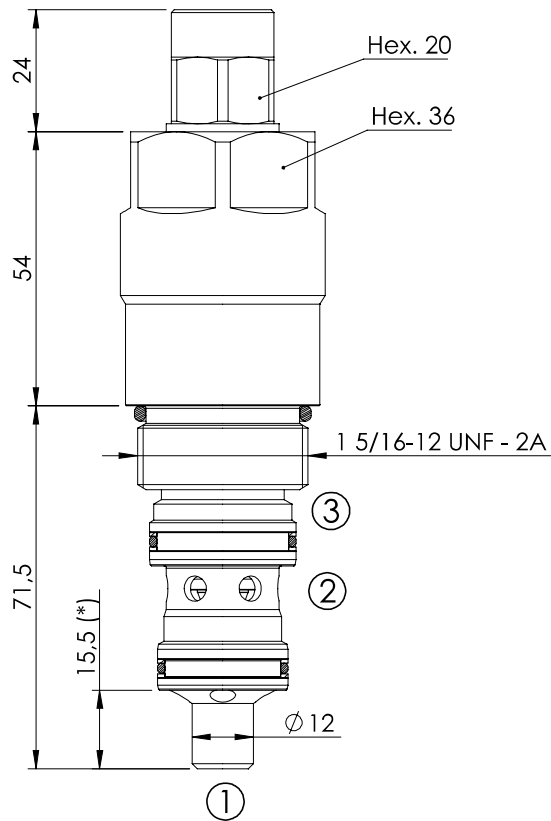
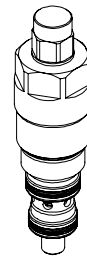
ORDERING CODES

Quick code	Description	Standard setting (bar, Q=5 l/min)	Adjustment range (bar)	Pressure increase (bar/turn)
CP000181	CPLT-080-DHNA-HN-086-N420	350	150-420	53
CP000130	CPLT-080-DHNA-HN-086-N350	350	100-350	42
CP000142	CPLT-080-DHNA-HN-086-N200	200	60-210	24
CP000143	CPLT-080-DHNA-HN-086-N100	100	25-100	13
CP000144	CPLT-080-DHNA-HN-086-N050	50	5-50	9

RELIEF VALVE

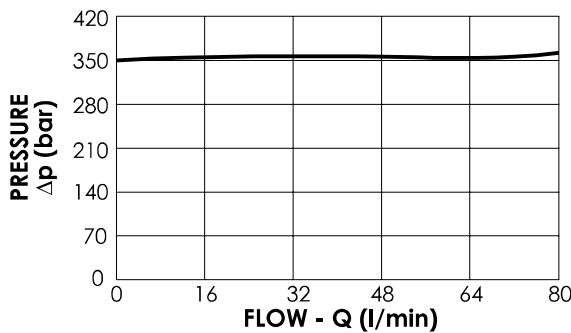
CPLT-080-DHNA

**DIRECT ACTING
STABILIZED PISTON
CHAMBER VENTED**



SPECIFICATIONS

Max. operating pressure:	420 bar
Rated flow:	80 l/min
Cavity:	SAE-16-3C
Weight:	0,75 kg



NOTES

Installation torque:	118 - 132 Nm
Seal kit:	RB700089

(*): The cartridge exceed overall dimension of the standard cavity into port 1.

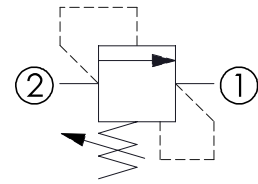
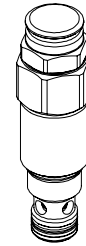
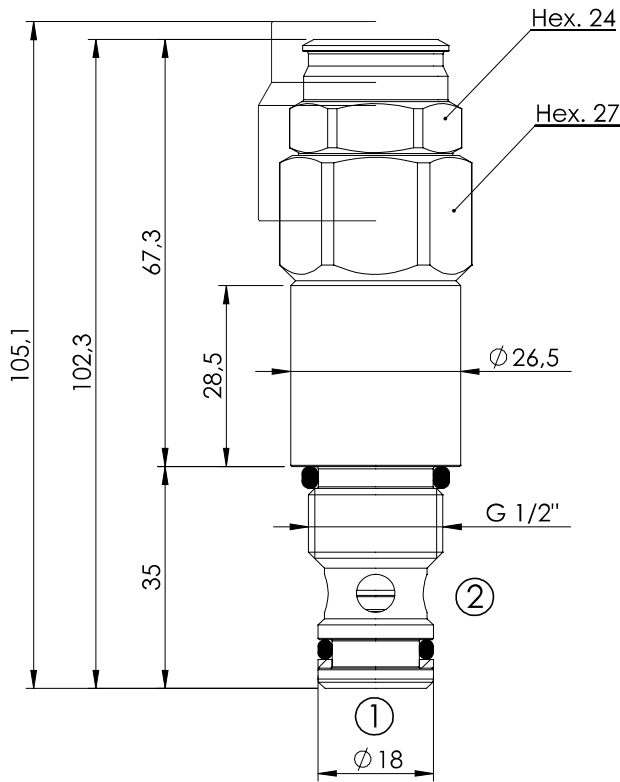
ORDERING CODES

Quick code	Description	Standard setting (bar, Q=5 l/min)	Adjustment range (bar)	Pressure increase (bar/turn)
CP000171	CPLT-080-DHNA-HN-S16-N420	350	150-420	53

RELIEF VALVE

CPLN-040-DHGD

DIFFERENTIAL AREA
POPPET TYPE



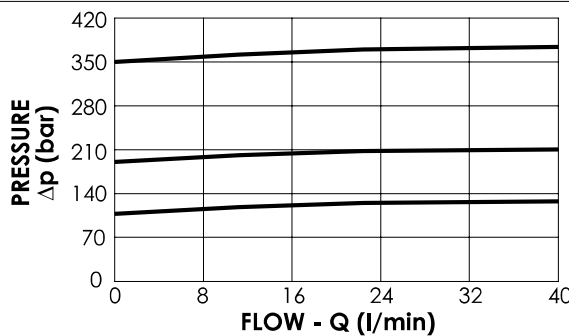
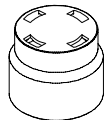
SPECIFICATIONS

Max. operating pressure:	350 bar
Rated flow:	40 l/min
Cavity:	VP000080
Weight:	0,31 kg

SEALING CAP

Ordering code:

PT000258



NOTES

Installation torque:	95 - 105 Nm
Seal kit:	RC900080

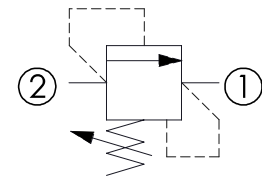
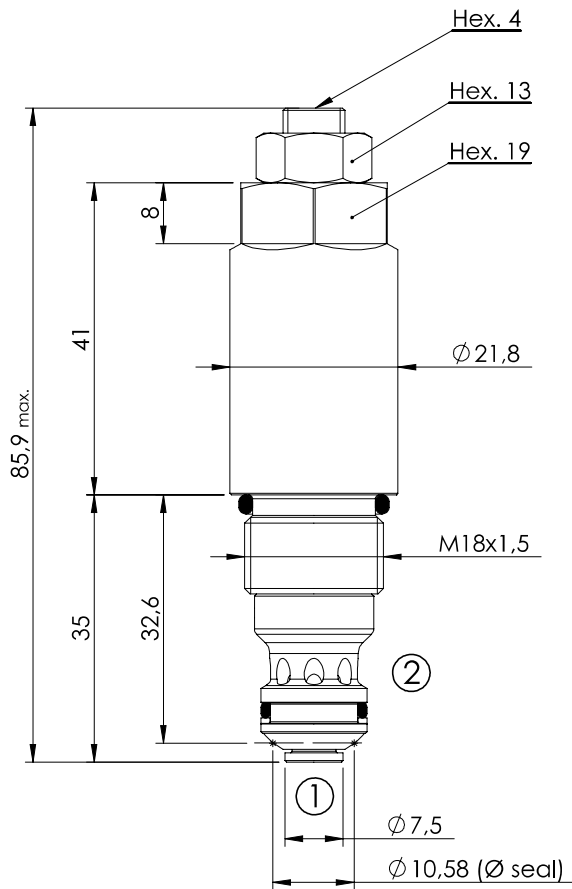
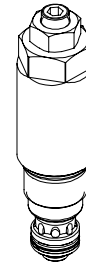
ORDERING CODES

Quick code	Description	Standard setting (bar, Q=5 l/min)	Adjustment range (bar)	Pressure increase (bar/turn)
CP000036	CPLN-040-DHGD-HN-080-N350	350	100-350	119
CP000088	CPLN-040-DHGD-HN-080-N200	200	50-210	63
CP000223	CPLN-040-DHGD-HN-080-N100	100	30-100	30

RELIEF VALVE

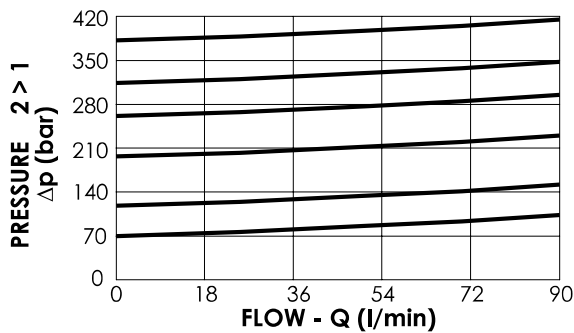
CPLN-090-DHGA

**DIRECT ACTING
STABILIZED PISTON**



SPECIFICATIONS

Max. operating pressure:	380 bar
Rated flow:	90 l/min
Cavity:	VP000249
Weight:	0,15 kg



NOTES

Installation torque:	45 - 50 Nm
Seal kit:	RC900249

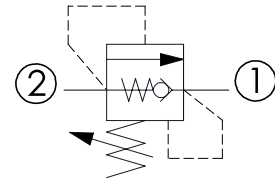
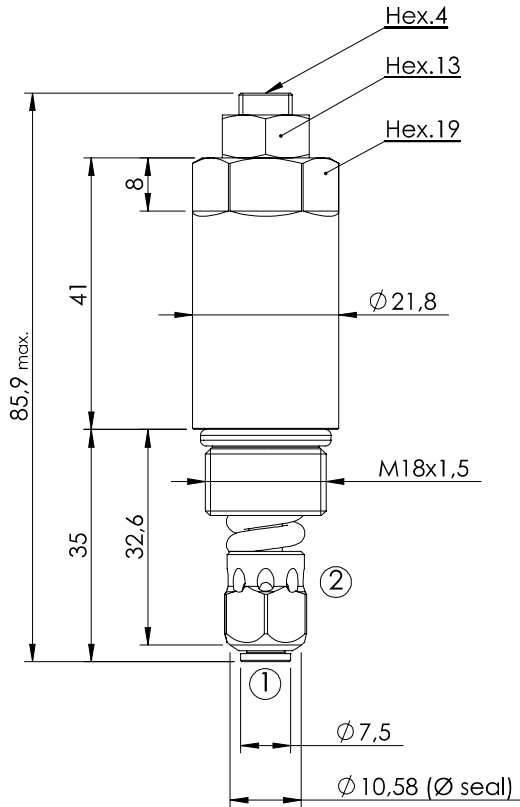
ORDERING CODES

Quick code	Description	Standard setting (bar, Q=5 l/min)	Adjustment range (bar)	Pressure increase (bar/turn)
CP000105	CPLN-090-DHGA-HN-249-N380	380	320 - 380	101
CP000101	CPLN-090-DHGA-HN-249-N320	320	270 - 320	67
CP000104	CPLN-090-DHGA-HN-249-N270	270	200 - 270	44
CP000103	CPLN-090-DHGA-HN-249-N200	200	120 - 200	30
CP000102	CPLN-090-DHGA-HN-249-N120	120	70 - 120	18
CP000120	CPLN-090-DHGA-HN-249-N070	70	10 - 70	8

RELIEF VALVE WITH REVERSE FREE FLOW

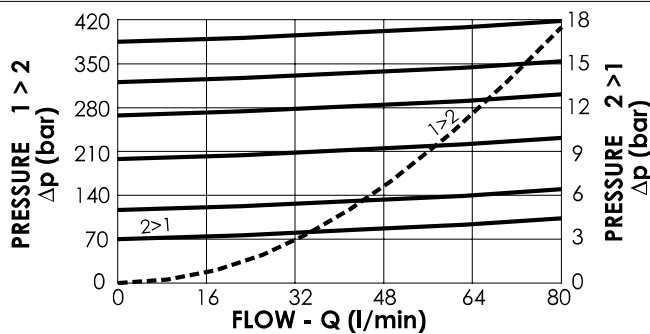
CPAN-090-DHGA

DIRECT ACTING
STABILIZED PISTON



SPECIFICATIONS

Max. operating pressure:	380 bar
Rated flow:	90 l/min
Cavity:	VP000249
Weight:	0,15 kg



NOTES

Installation torque:	40 - 45 Nm
Seal kit:	RC900249

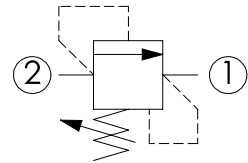
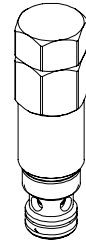
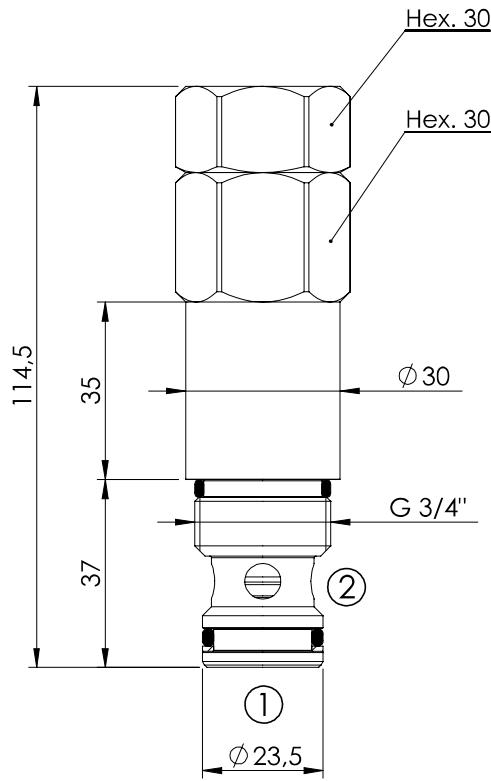
ORDERING CODES

Quick code	Description	Standard setting (bar, Q=5 l/min)	Adjustment range (bar)	Pressure increase (bar/turn)
CP000114	CPAN-090-DHGA-HN-249-N380	380	320 - 380	101
CP000113	CPAN-090-DHGA-HN-249-N320	320	270 - 320	67
CP000109	CPAN-090-DHGA-HN-249-N270	270	200 - 270	44
CP000112	CPAN-090-DHGA-HN-249-N200	200	120 - 200	30
CP000111	CPAN-090-DHGA-HN-249-N120	120	70 - 120	18
CP000122	CPAN-090-DHGA-HN-249-N070	70	10 - 70	8

RELIEF VALVE

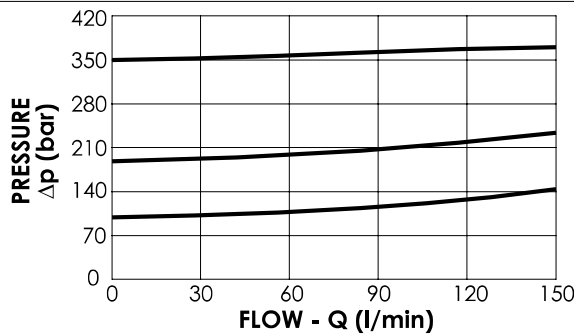
CPLN-150-DHGD

DIFFERENTIAL AREA
POPET TYPE



SPECIFICATIONS

Max. operating pressure:	350 bar
Rated flow:	150 l/min
Cavity:	VP000070
Weight:	0,48 kg



NOTES

Installation torque:	110 - 130 Nm
Seal kit:	RC700070

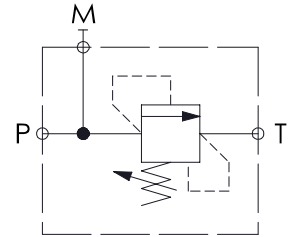
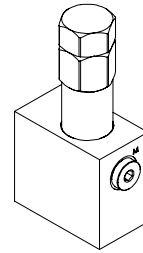
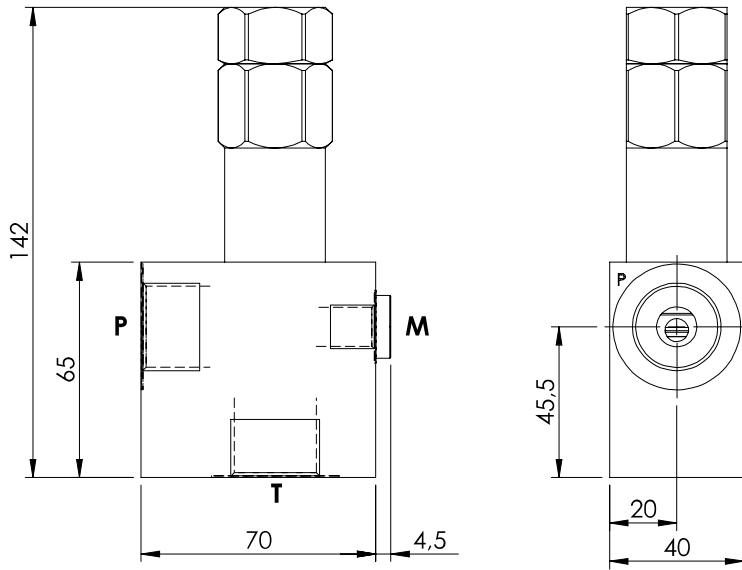
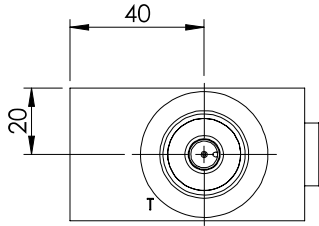
ORDERING CODES

Quick code	Description	Standard setting (bar, Q=5 l/min)	Adjustment range (bar)	Pressure increase (bar/turn)
CP000022	CPLN-150-DHGD-HN-070-N350	350	130-350	111
CP000018	CPLN-150-DHGD-HN-070-N200	200	70-210	73
CP000021	CPLN-150-DHGD-HN-070-N100	100	30-100	32

RELIEF VALVE IN BODY

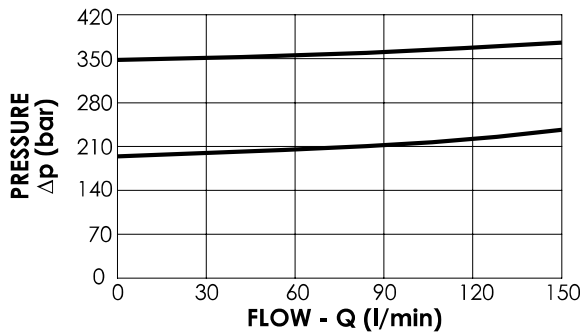
KPLN-150-DHGD

DIFFERENTIAL AREA
POPPET TYPE



SPECIFICATIONS

Max. operating pressure:	350 bar
Rated flow:	150 l/min
Manifold:	Aluminium
Weight:	0,85 kg



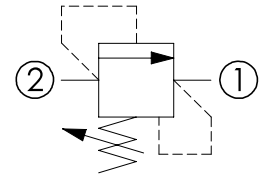
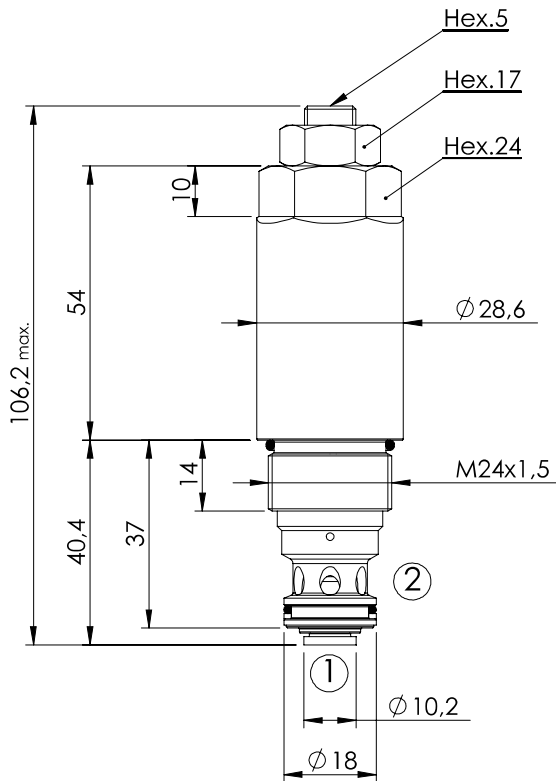
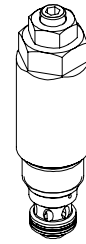
ORDERING CODES

Quick code	Description	Main ports size	Standard setting (bar, Q=5 l/min)	Adjustm. range (bar)	Pressure increase (bar/turn)
KP000028	KPLN-150-DHGD-HN-G34-N350	P,T: G 3/4" M: G 1/4"	350	130-350	111
KP000057	KPLN-150-DHGD-HN-G34-N200	P,T: G 3/4" M: G 1/4"	200	70-210	73
KP000020	KPLN-150-DHGD-HN-G12-N350	P,T: G 1/2" M: G 1/4"	350	130-350	111
KP000058	KPLN-150-DHGD-HN-G12-N200	P,T: G 1/2" M: G 1/4"	200	70-210	73

RELIEF VALVE

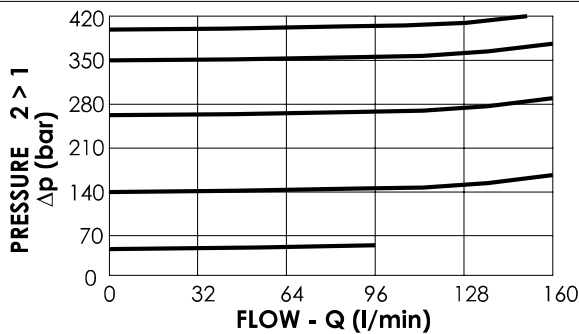
CPLN-160-DHGA

**DIRECT ACTING
STABILIZED PISTON**



SPECIFICATIONS

Max. operating pressure:	400 bar
Rated flow:	160 l/min
Cavity:	VP000250
Weight:	0,33 kg



NOTES

Installation torque:	45 - 50 Nm
Seal kit:	RC900250

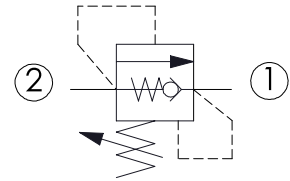
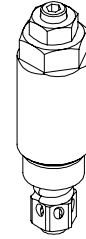
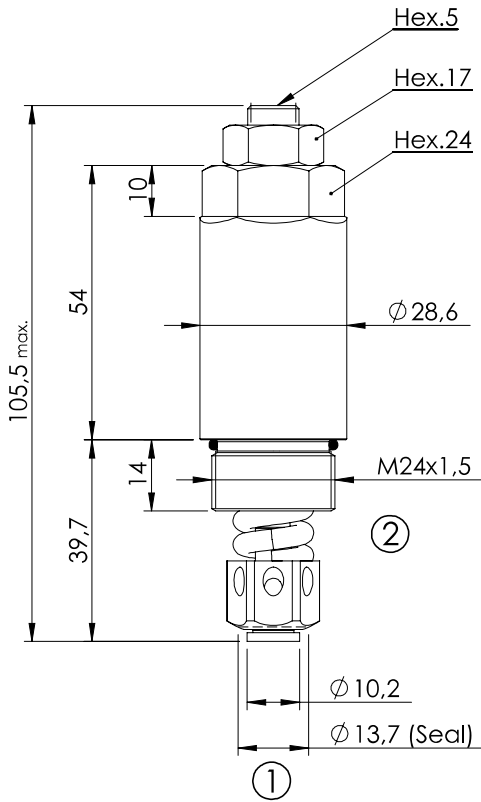
ORDERING CODES

Quick code	Description	Standard setting (bar, Q=5 l/min)	Adjustment range (bar)	Pressure increase (bar/turn)
CP000108	CPLN-160-DHGA-HN-250-N400	400	350 - 400	72
CP000107	CPLN-160-DHGA-HN-250-N350	350	270 - 350	58
CP000100	CPLN-160-DHGA-HN-250-N270	270	140 - 270	49
CP000106	CPLN-160-DHGA-HN-250-N140	140	90 - 140	36
CP000121	CPLN-160-DHGA-HN-250-N090	90	50 - 90	13

RELIEF VALVE WITH REVERSE FREE FLOW

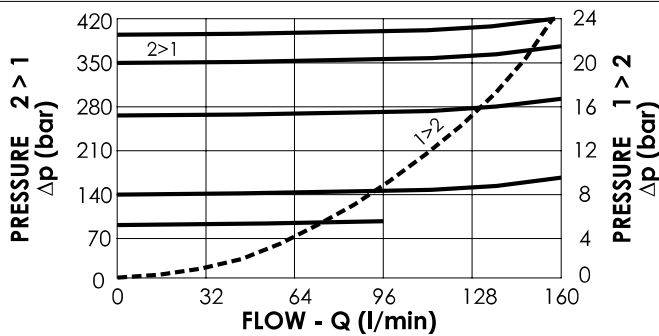
CPAN-160-DHGA

DIRECT ACTING
STABILIZED PISTON



SPECIFICATIONS

Max. operating pressure:	400 bar
Rated flow:	160 l/min
Cavity:	VP000250
Weight:	0,32 kg



NOTES

Installation torque:	45 - 50 Nm
Seal kit:	RC900250

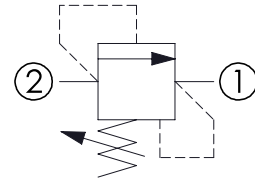
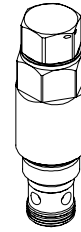
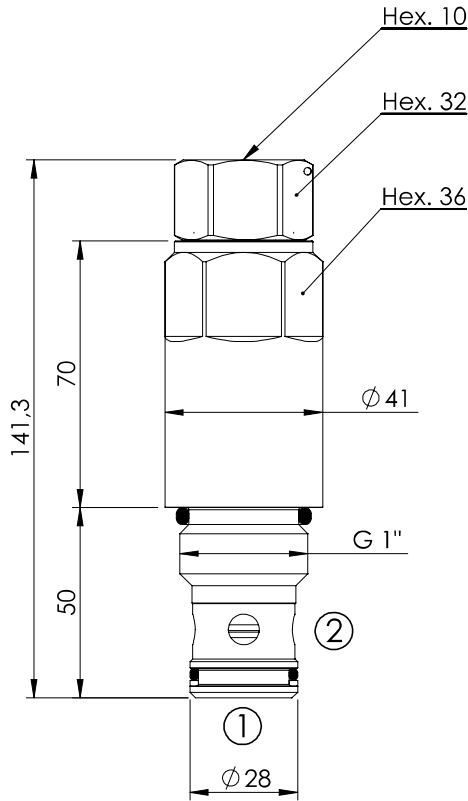
ORDERING CODES

Quick code	Description	Standard setting (bar, Q=5 l/min)	Adjustment range (bar)	Pressure increase (bar/turn)
CP000117	CPAN-160-DHGA-HN-250-N400	400	350 - 400	72
CP000116	CPAN-160-DHGA-HN-250-N350	350	270 - 350	58
CP000110	CPAN-160-DHGA-HN-250-N270	270	140 - 270	49
CP000115	CPAN-160-DHGA-HN-250-N140	140	90 - 140	36
CP000123	CPAN-160-DHGA-HN-250-N090	90	50 - 90	13

RELIEF VALVE

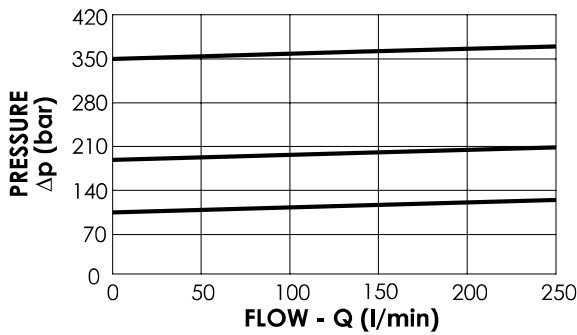
CPLN-250-DHGD

DIFFERENTIAL AREA
POPPET TYPE



SPECIFICATIONS

Max. operating pressure:	350 bar
Rated flow:	250 l/min
Cavity:	VP000154
Weight:	0,9 kg



NOTES

Installation torque:	230 - 250 Nm
Seal kit:	RC900154

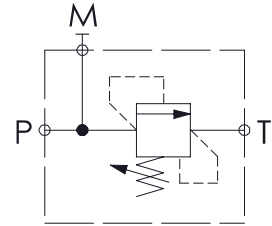
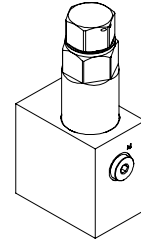
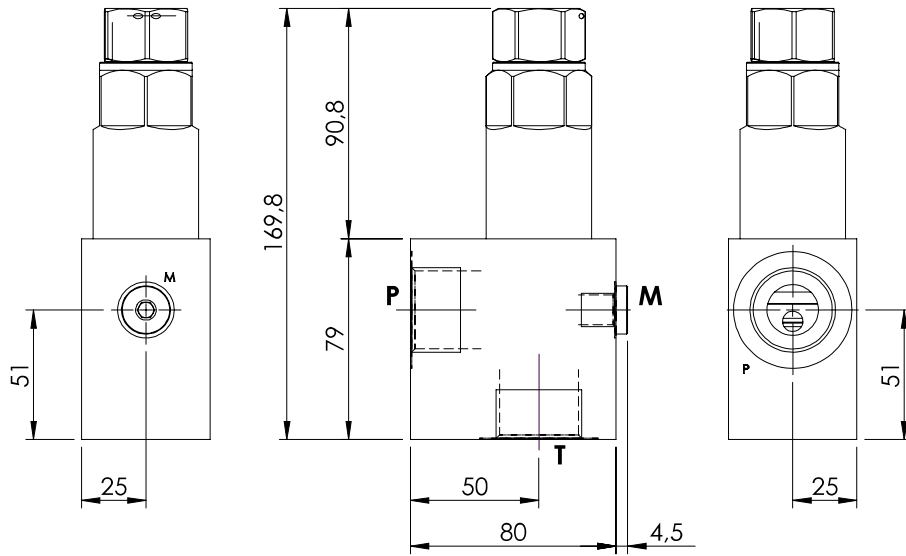
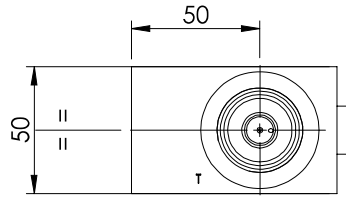
ORDERING CODES

Quick code	Description	Standard setting (bar, Q=5 l/min)	Adjustment range (bar)	Pressure increase (bar/turn)
CP000046	CPLN-250-DHGD-HN-154-N350	350	120-350	65
CP000119	CPLN-250-DHGD-HN-154-N200	200	50-200	38
CP000224	CPLN-250-DHGD-HN-154-N100	100	20-100	19

RELIEF VALVE

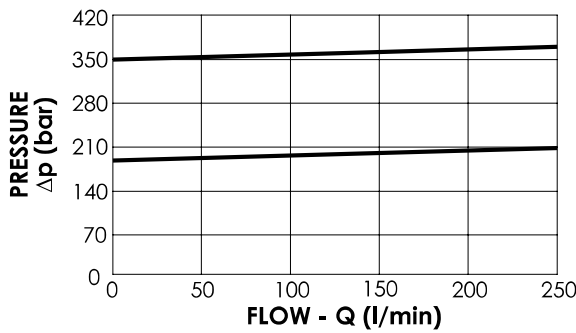
KPLN-250-DHGD

DIFFERENTIAL AREA
POPPET TYPE



SPECIFICATIONS

Max. operating pressure:	350 bar
Rated flow:	250 l/min
Manifold:	Steel
Weight:	2,73 kg



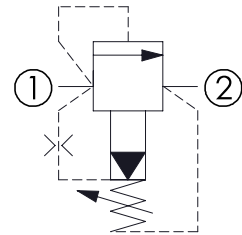
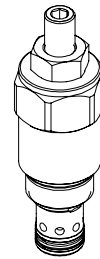
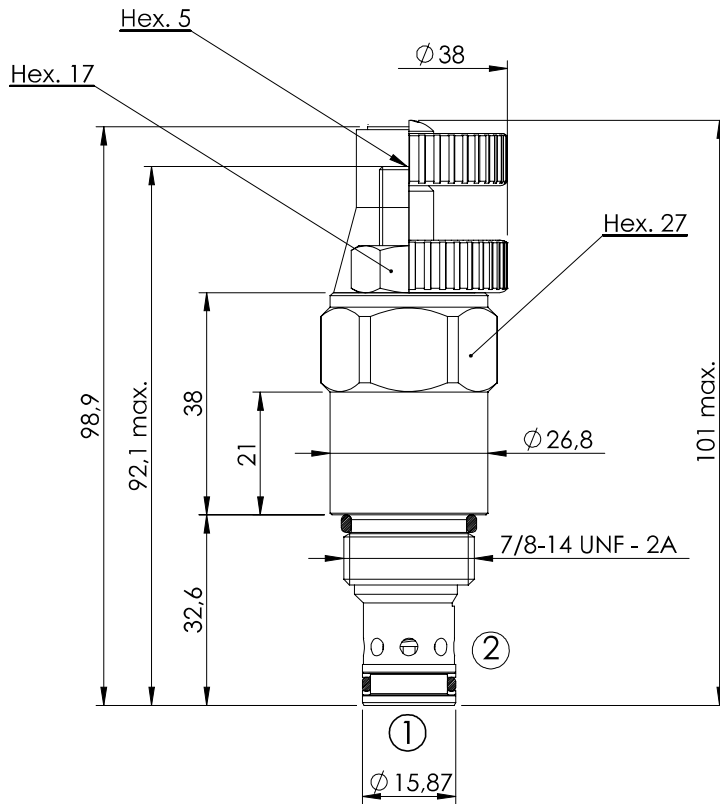
ORDERING CODES

Quick code	Description	Main ports size	Standard setting (bar, Q=5 l/min)	Adjustm. range (bar)	Pressure increase (bar/turn)
KP000068	KPLN-250-DHGD-HN-G10-N350	P,T: G 1"; M: G 1/4"	350	120-350	65
KP000103	KPLN-250-DHGD-HN-G10-N200	P,T: G 1"; M: G 1/4"	200	50-200	38

RELIEF VALVE

CPLN-120-PSNA

PILOT OPERATED
SPOOL TYPE



SPECIFICATIONS

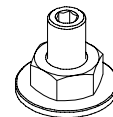
Max. operating pressure:	350 bar
Rated flow:	120 l/min
Cavity:	SAE-10-2N
Weight:	0,24 kg
Installation torque:	55 - 62 Nm
Leakage:	200 cm ³ @ 200 bar
Seal kit:	RB700082

SEALING CAP

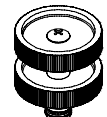
Ordering code:
AT000022



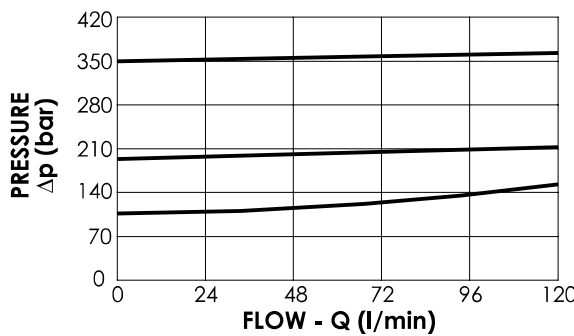
OPTIONS



Adjustment
with Screw



Adjustment
with Handknob



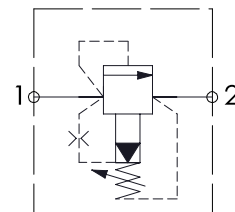
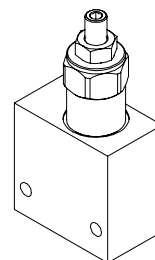
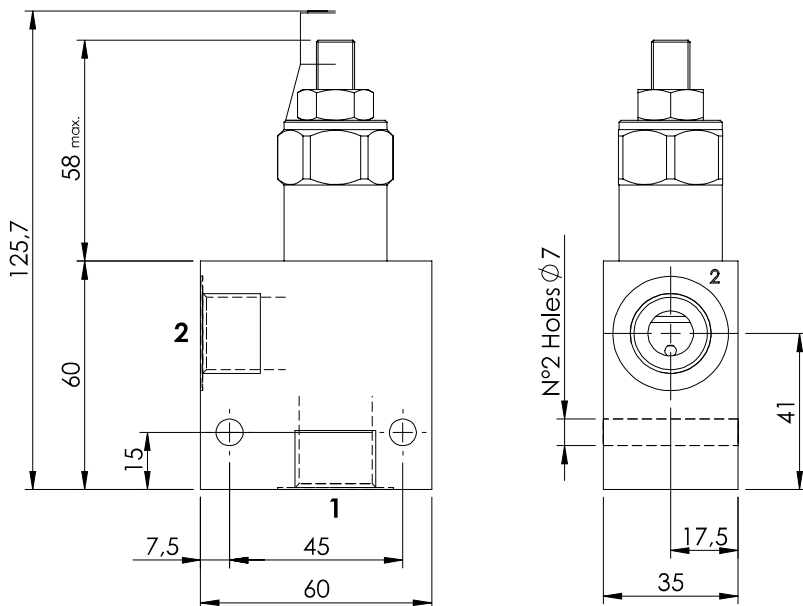
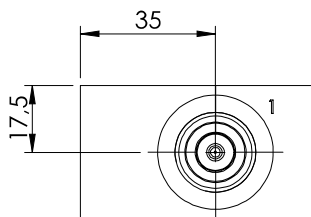
ORDERING CODES

Quick code	Description	Standard setting (bar, Q=5 l/min)	Adjust. range (bar)	Pressure increase (bar/turn)	Option
CP000009	CPLN-120-PSNA-HN-S10-N350	350	140-350	114	Adjustment with Screw
CP000060	CPLN-120-PSNA-HN-S10-N200	200	70-210	69	Adjustment with Screw
CP000059	CPLN-120-PSNA-HN-S10-N100	100	35-120	37	Adjustment with Screw
CP000064	CPLN-120-PSNA-VN-S10-N350	350	140-350	114	Adjustment with Handknob
CP000065	CPLN-120-PSNA-VN-S10-N200	200	70-210	69	Adjustment with Handknob
CP000066	CPLN-120-PSNA-VN-S10-N100	100	35-120	37	Adjustment with Handknob

RELIEF VALVE IN BODY

KPLN-120-PSNA

PILOT OPERATED
SPOOL TYPE

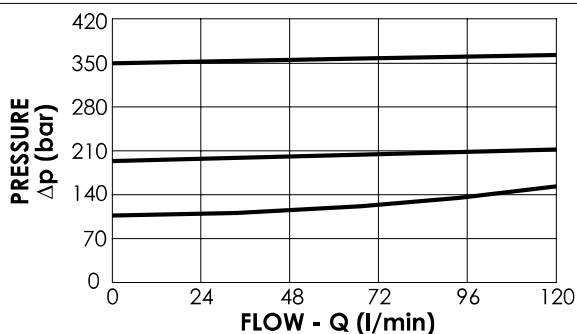
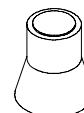


SPECIFICATIONS

Max. operating pressure:	350 bar
Rated flow:	120 l/min
Manifold:	Aluminium
Weight:	0,49 kg
Leakage:	200 cm ³ @ 200 bar

SEALING CAP

Ordering code:
AT000022



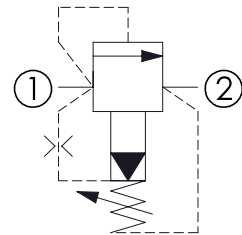
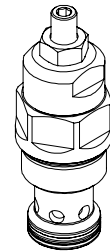
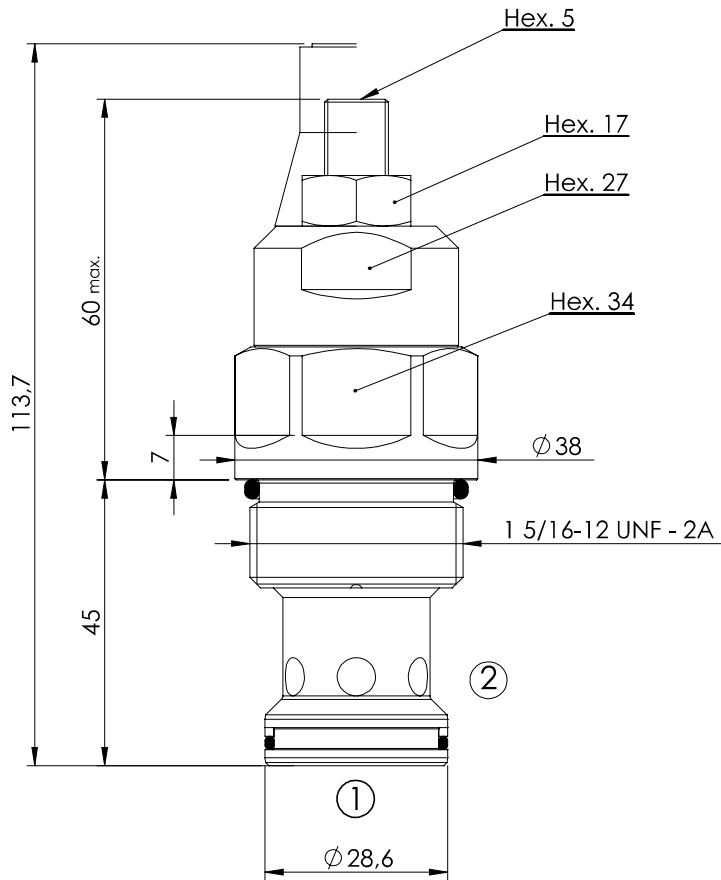
ORDERING CODES

Quick code	Description	Main ports size	Standard setting (bar, Q=5 l/min)	Adjustm. range (bar)	Pressure increase (bar/turn)
KP000014	KPLN-120-PSNA-HN-G12-N350	P,T : G1/2"	350	140-350	114
KP000048	KPLN-120-PSNA-HN-G12-N200	P,T : G1/2"	200	70-210	69
KP000047	KPLN-120-PSNA-HN-G12-N100	P,T : G1/2"	100	35-120	37
KP000096	KPLN-120-PSNA-HN-G34-N350	P,T : G3/4"	350	140-350	114
KP000159	KPLN-120-PSNA-HN-G34-N200	P,T : G3/4"	200	70-210	69
KP000160	KPLN-120-PSNA-HN-G34-N100	P,T : G3/4"	100	35-120	37

RELIEF VALVE

CPLN-300-PSNA

PILOT OPERATED
SPOOL TYPE

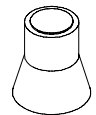


SPECIFICATIONS

Max. operating pressure:	350 bar
Rated flow:	300 l/min
Cavity:	SAE-16-2N
Weight:	0,5 kg
Leakage:	350 cm ³ @ 200 bar

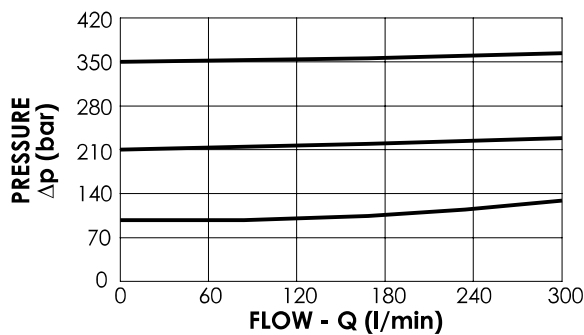
SEALING CAP

Ordering code:
AT000022



NOTES

Installation torque:	150 - 180 Nm
Seal kit:	RA700084



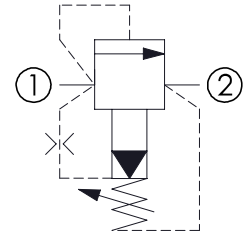
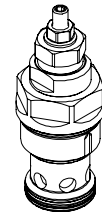
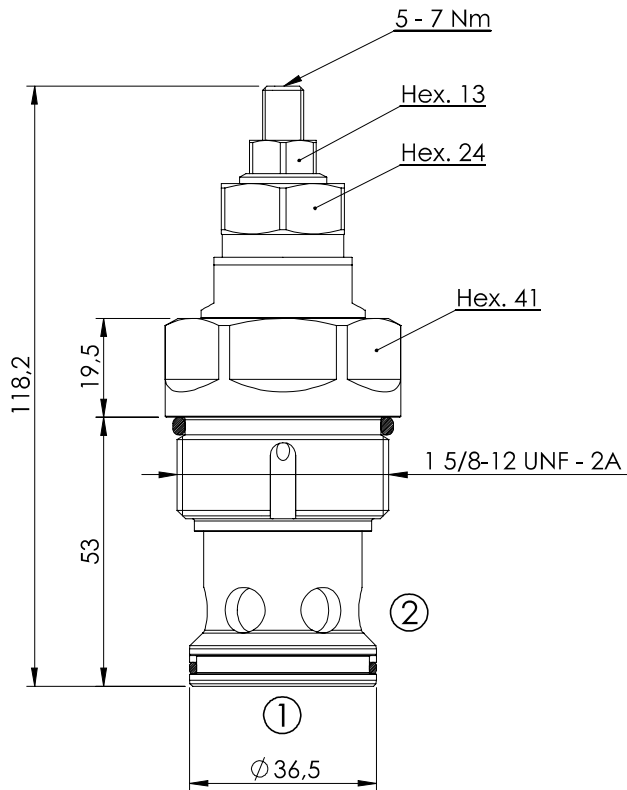
ORDERING CODES

Quick code	Description	Standard setting (bar, Q=5 l/min)	Adjustment range (bar)	Pressure increase (bar/turn)
CP000188	CPLN-300-PSNA-HN-S16-N350	350	140-350	114
CP000177	CPLN-300-PSNA-HN-S16-N200	200	70-210	69
CP000178	CPLN-300-PSNA-HN-S16-N100	100	35-120	37

RELIEF VALVE

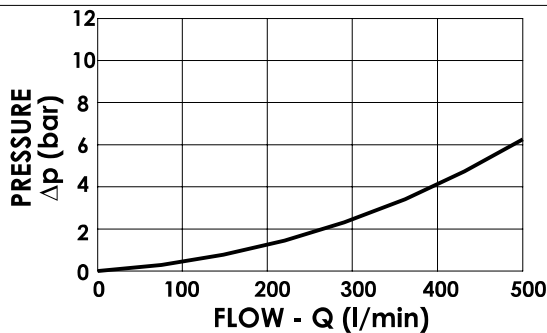
CPLN-500-PHNA

PILOTED OPERATED
SPOOL TYPE



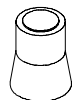
SPECIFICATIONS

Max. operating pressure:	350 bar
Rated flow:	500 l/min
Cavity:	SAE-20-2N
Weight:	0,7 kg
Installation torque:	230 - 250 Nm
Max. int. leakage:	400 cm ³ /min (@46 cSt)
Seal kit:	RA900085



SEALING CAP

Ordering code:
AT000020



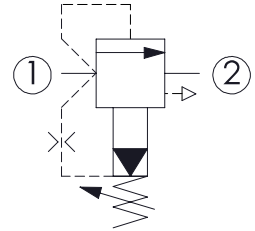
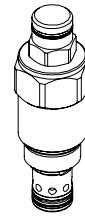
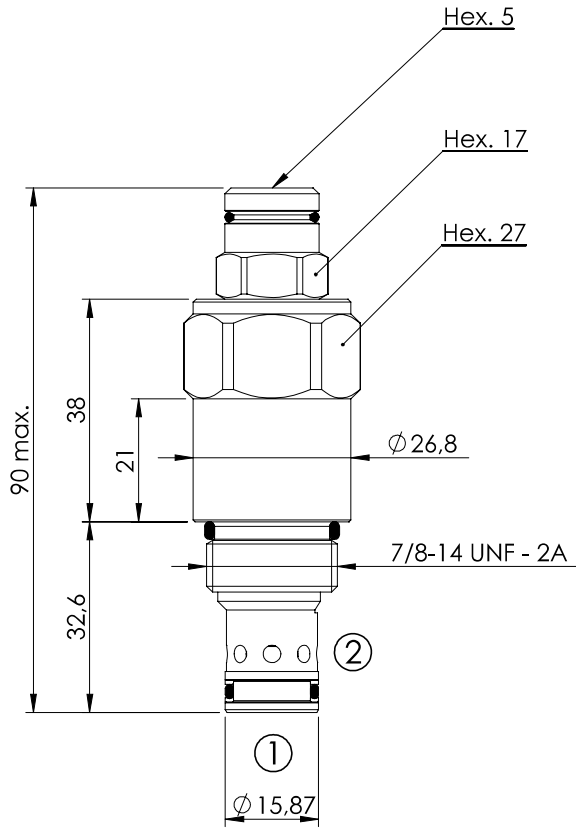
ORDERING CODES

Quick code	Description	Standard setting (bar, Q=5 l/min)	Adjustment range (bar)	Pressure increase (bar/turn)
CP000407	CPLN-500-PHNA-SN-S20-N350	350	140-350	142
CP000408	CPLN-500-PHNA-SN-S20-N200	200	90-210	87
CP000409	CPLN-500-PHNA-SN-S20-N100	100	35-110	47

RELIEF VALVE

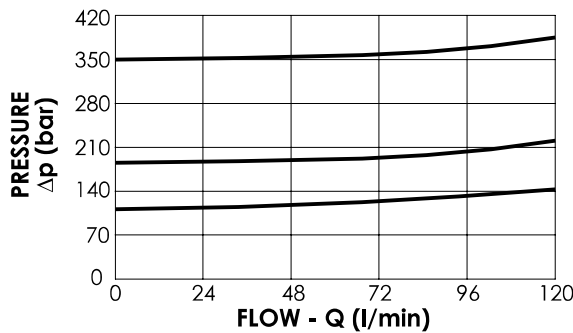
CPLT-120-PSNA

PILOT OPERATED
SPOOL TYPE
COMPENSATED



SPECIFICATIONS

Max. operating pressure:	350 bar
Rated flow:	120 l/min
Cavity:	SAE-10-2N
Weight:	0,25 kg
Leakage:	200 cm ³ @ 200 bar



NOTES

Installation torque:	55 - 62 Nm
Seal kit:	RB700082

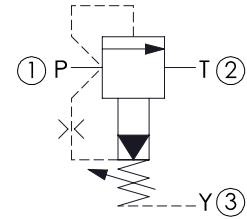
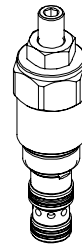
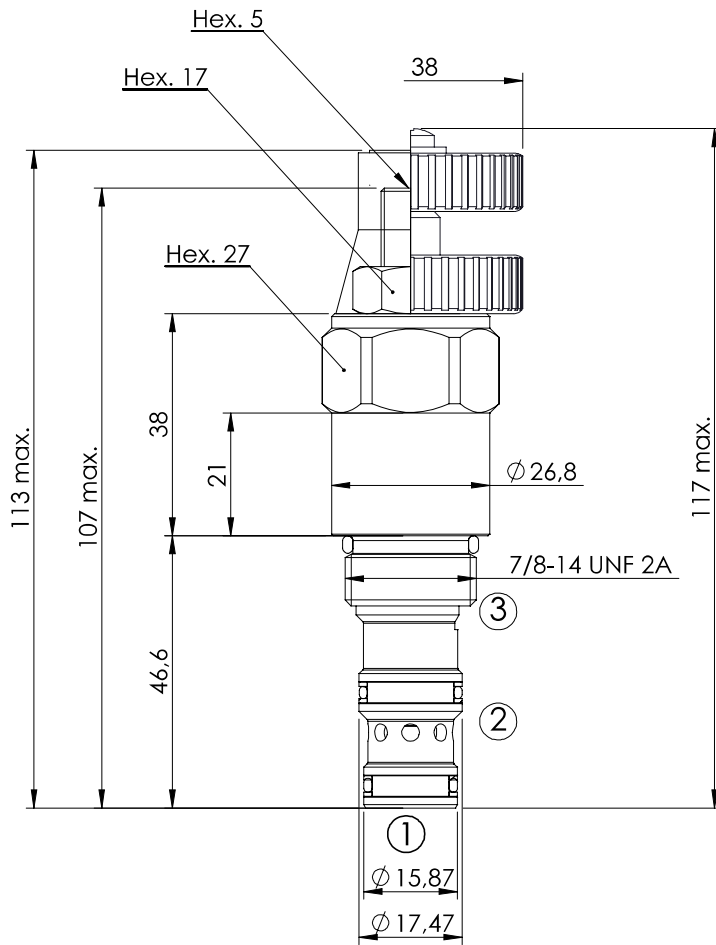
ORDERING CODES

Quick code	Description	Standard setting (bar, Q=5 l/min)	Adjustment range (bar)	Pressure increase (bar/turn)
CP000070	CPLT-120-PSNA-HN-S10-N350	350	140-350	114
CP000071	CPLT-120-PSNA-HN-S10-N200	200	70-210	69
CP000072	CPLT-120-PSNA-HN-S10-N100	100	35-120	37

RELIEF VALVE

CPLV-120-PSNA

**PILOT OPERATED
SPOOL TYPE
SEPARATE TANK LINE**



SPECIFICATIONS

Max. operating pressure:	350 bar
Rated flow:	120 l/min
Cavity:	SAE-10-3N
Weight:	0,26 kg
Installation torque:	55 - 62 Nm
Leakage:	200 cm ³ @ 200 bar (1>2)
Seal kit:	RB700092

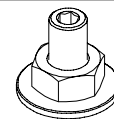
SEALING CAP

Ordering code:

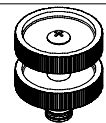
AT00022



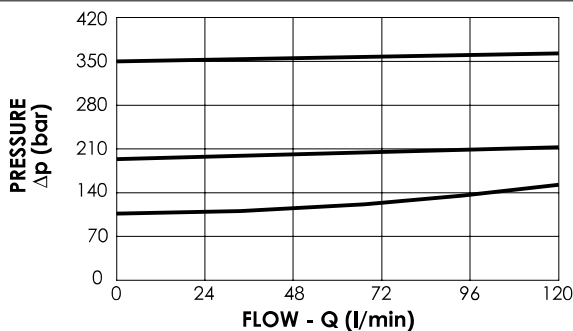
OPTIONS



Adjustment with Screw



Adjustment with Handknob



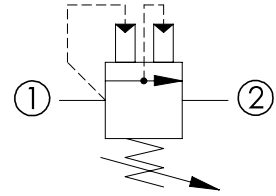
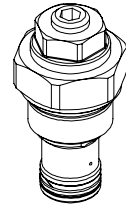
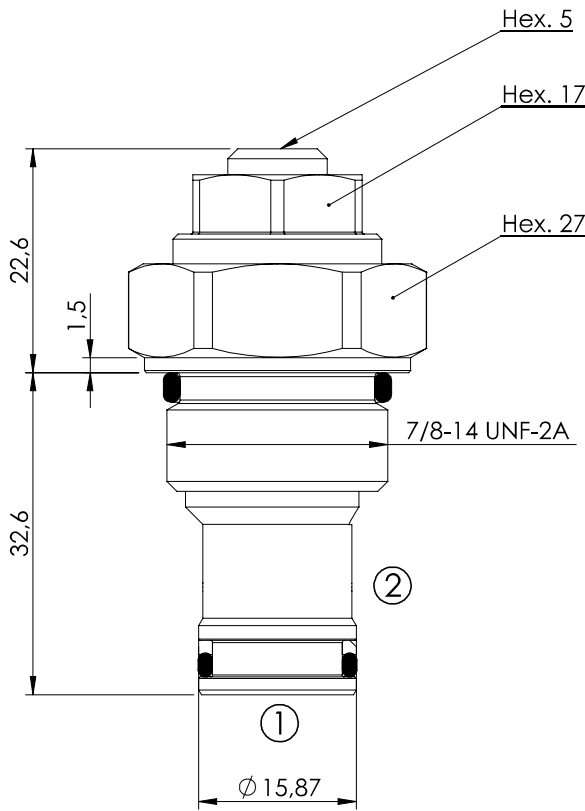
ORDERING CODES

Quick code	Description	Standard setting (bar, Q=5 l/min)	Adjust. range (bar)	Pressure increase (bar/turn)	Option
CP000228	CPLV-120-PSNA-HN-S10-N350	350	140-350	114	Adjustment with Screw
CP000427	CPLV-120-PSNA-HN-S10-N200	200	70-210	69	Adjustment with Screw
CP000428	CPLV-120-PSNA-HN-S10-N100	100	35-120	37	Adjustment with Screw
CP000429	CPLV-120-PSNA-VN-S10-N350	350	140-350	114	Adjustment with Handknob
CP000430	CPLV-120-PSNA-VN-S10-N200	200	70-210	69	Adjustment with Handknob
CP000431	CPLV-120-PSNA-VN-S10-N100	100	35-120	37	Adjustment with Handknob

RELIEF VALVE

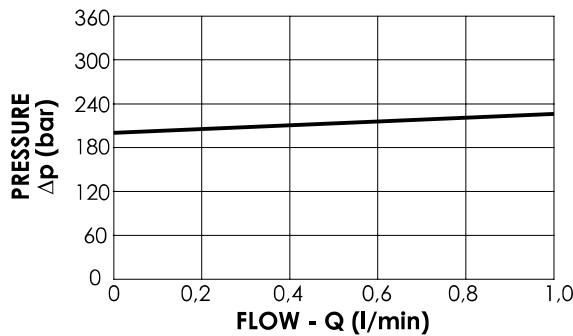
CPSK-001-PPNA

**DIRECT ACTING
POPPET TYPE
KICK DOWN TYPE**



SPECIFICATIONS

Max. operating pressure:	350 bar
Rated flow:	1 l/min
Cavity:	SAE-10-2N
Weight:	0,13 kg



NOTES

Installation torque:	55 - 62 Nm
Seal kit:	RA700082

When the pressure exceeds the setting of the valve the poppet opens and unload the system to 10 bar. The valve closes when the flow is reduced to 0 l/min.

ORDERING CODES

Quick code	Description	Standard setting (bar, cracking press.)	Adjustment range (bar)	Pressure increase (bar/turn)
CP000227	CPSK-001-PPNA-SN-S10-N350	175	140-350	70,5